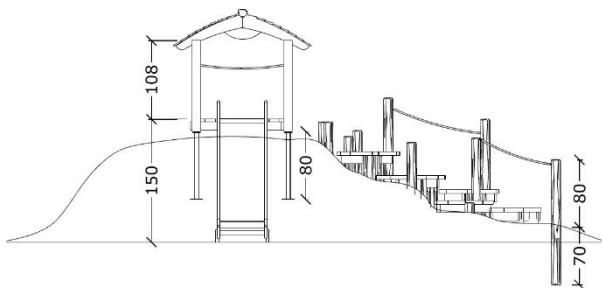
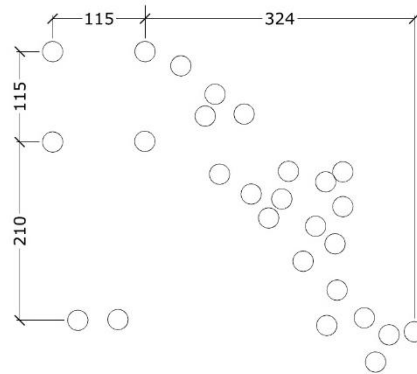
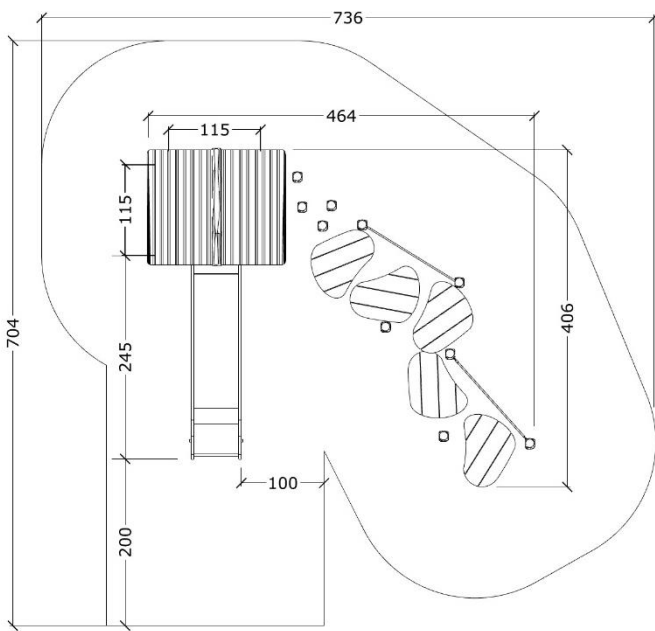


10136

Bakke løsning med rutschm gulve og tov /
Hill solution with slide, ramps and ropes

Datablad / data sheet



Serie: Rutschebaner	Vare nr.: 10136	Dato: 8.7.2024	Aldersgruppe: 1+
Kræver faldunderlag: Nej	Sikkerhedsareal: 39.4 m2	Faldhøjde: gulvhøjde ca. 40 cm	Monteringstid: 3 timer
Antal montører: 2	Samlet vægt: 250 kg	Største enkelt del: 230 cm	Vægt største enkelt del: 35 kg
Kg beton pr hul: 25 kg	Leveres samlet: delvis	Total størrelse (LXBXH) 406X464X260	Handicap venligt: -

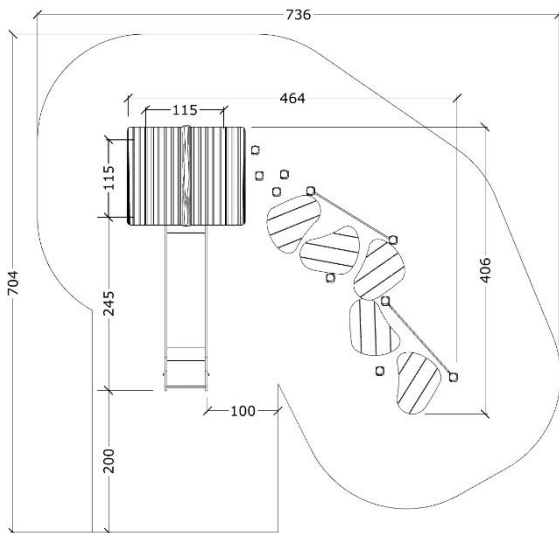
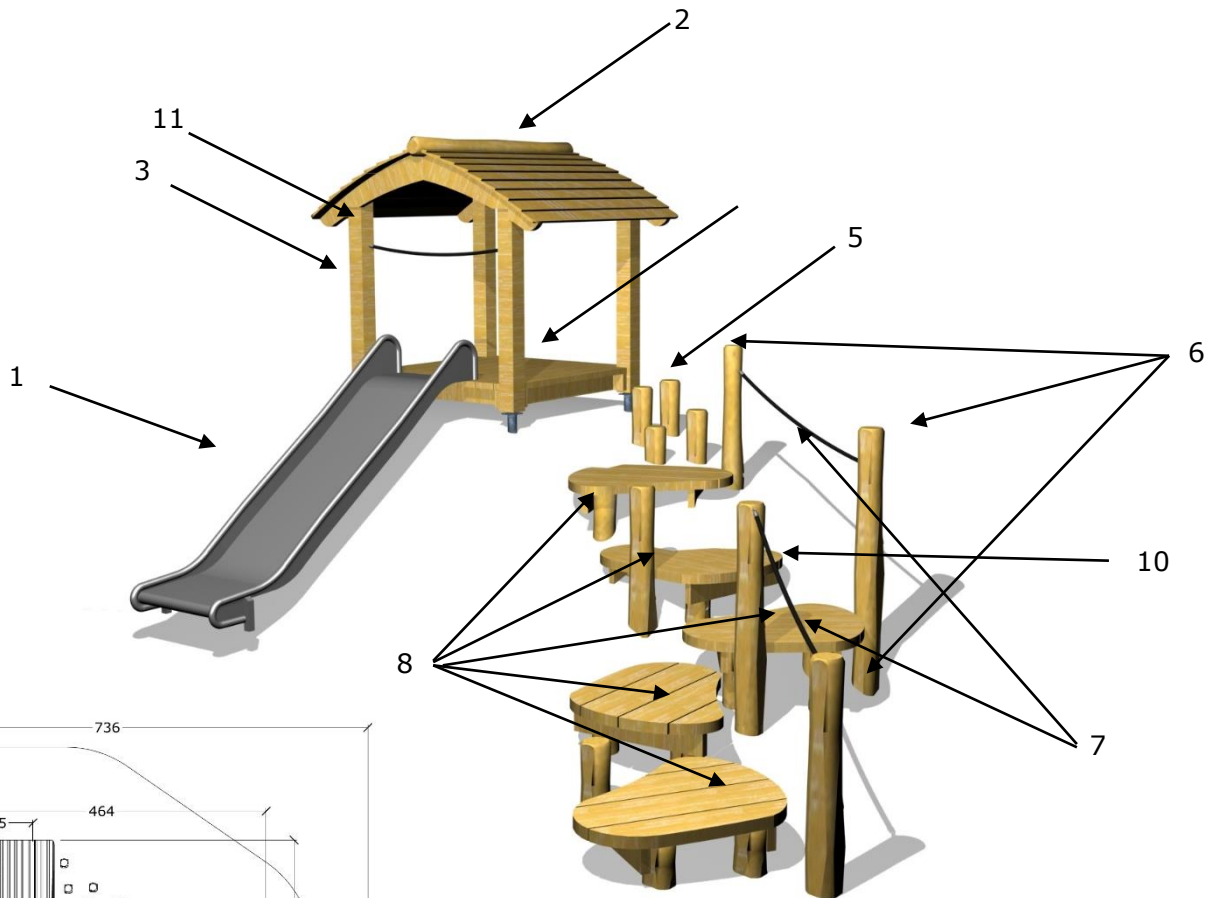


Serie: Slide	Item no.: 10136	Date: 8.7.2024	Age group: 1+
Demands fall underlay: No	Security area: 39.4 M2	Fall height: Floor height ex. 40 cm	Mouting time: 3 hour
Numbers of installers: 2	Total weight: 250 kg	Largest part: 230 cm	Weight, largest part: 35 kg
Kg of concrete per hole: 25 kg	Delivered assembled: partly	Total size (LXBXH) (LXBXH)406X464X260	Disability access: -

10136

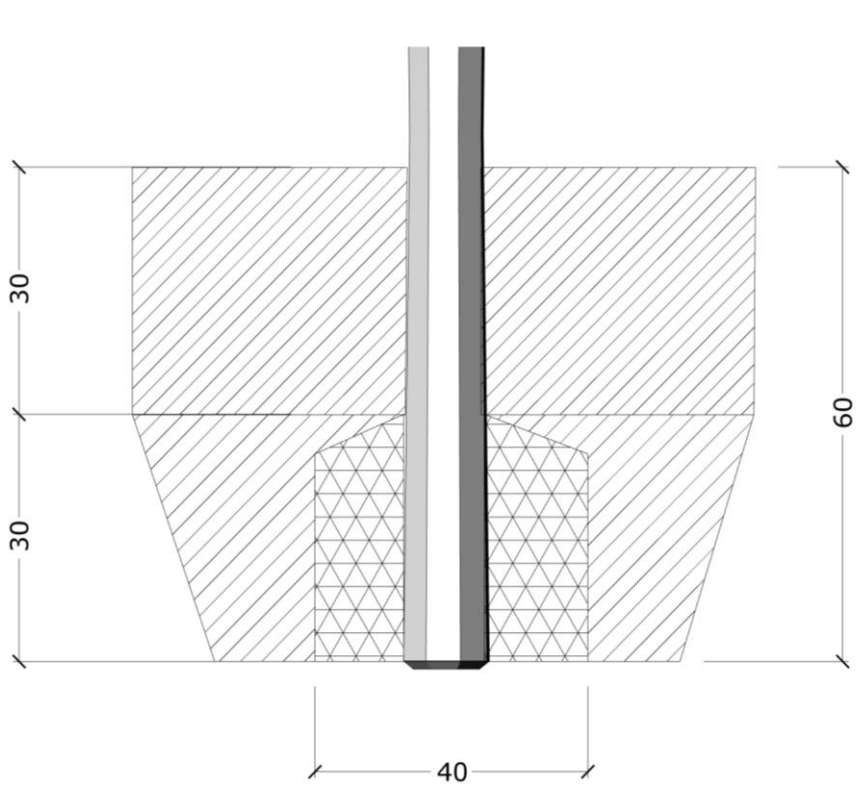
Bakke løsnng med rutschm gulve og tov /
Hill solution with slide, ramps and ropes

Teknisk tegning / technical drawing



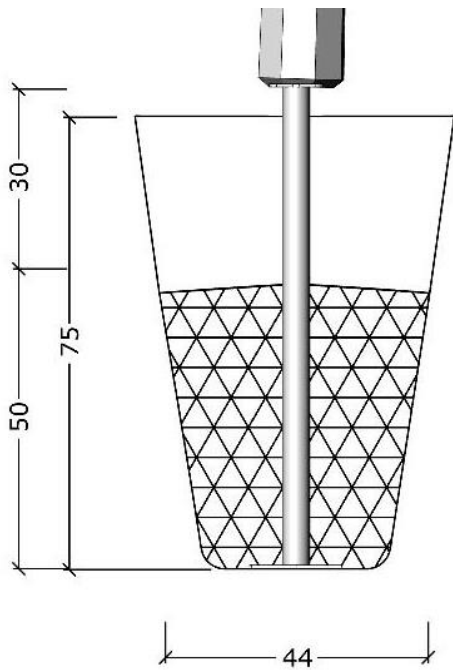
Stykliste:

No.	Description	Dimension	Number	
1	RB 150 Slide H150		1	
2	Tag Roof in douglas		1	
3	ST 120 Douglas post med with notch, incl. post feet	9X9X120 L=120	4	
4	GU 110 Floor 110X110 douglas		1	
5	ST 100 Robinia post	Ø12-14 L=100	6	
6	ST 100 Robinia Stolpe / post	Ø14-16 L=100cm	2	
7	ST 150 Robinia post	Ø12-14 L=150	4	
8	ST 200 Robinia Stolpe / post	Ø14-16 L=200cm	1	
9	AC 120 Rope with chain end	L=120	2	
10	GU 120 Robinia Stolpe / post	Ø14-16 L=250cm	1	
11	GU 43 Organic floor, including posts	se drawing	105X160	5
12	FD F1 Foundation ST	se drawing FD F1		24
13	MP 04 Montageprincip / Installation principle	se tegning MP 04		4
14	MP 07 Installation principle	se drawing MP 07		4
15	FD F1 Fundering ST / foundation post	se tegning FD F1		4
16	PS manufacturer sign	se drawing PS		1
17	PS Producentsskilt / manufacturer sign	se tegning PS		1

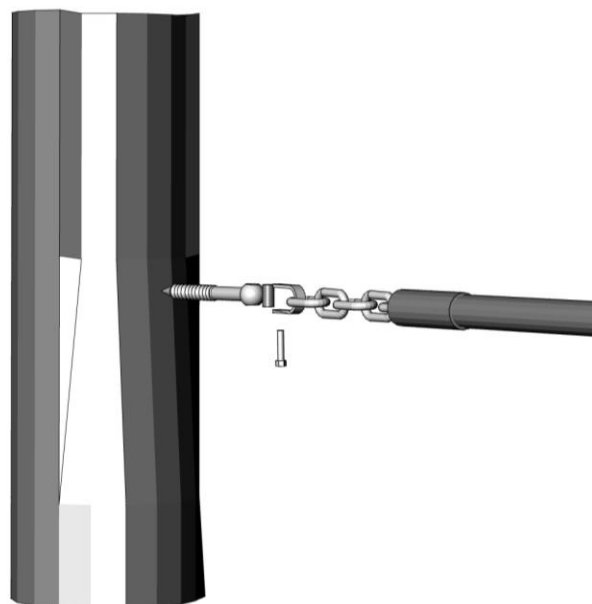


depth is adjusted to the slope of the hill

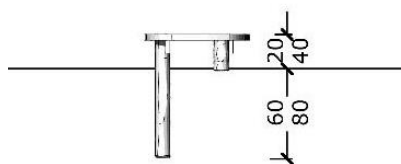
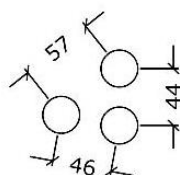
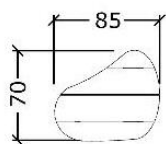
Foundation robinia

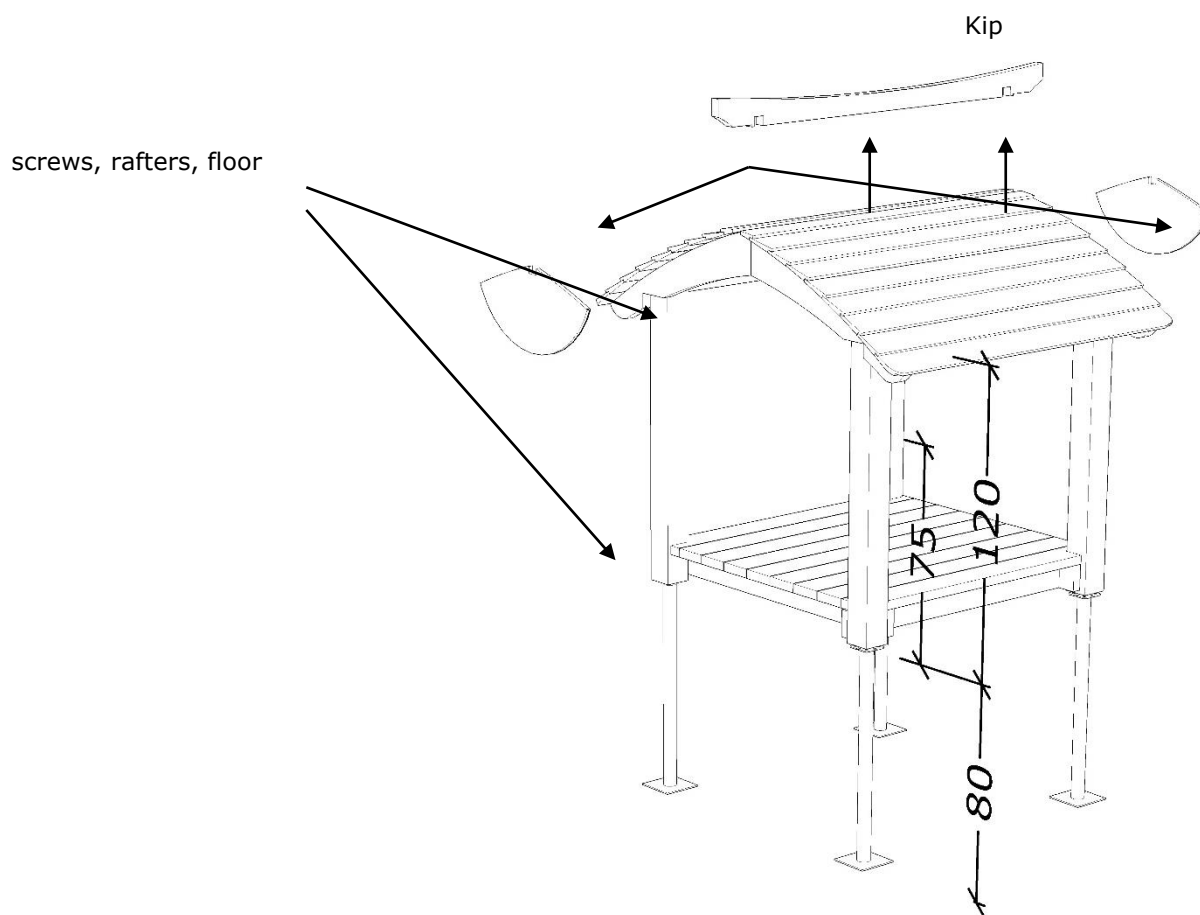


Foundation post foot



Mounting principle MP07





Elements list:

Post 4 FK 030
 Floor 1 FK 010
 Roof 1 FK 026

screws 5X40
 screws 5X80
 Everything has to be pre-drilled

Installation description:

- 1 / Start by placing the floor and assess the floor height above the ground, max 45cm
- 2 / Dig holes for the floor.
- 3 / Place posts in the holes and cut any posts in so that the height is 100 above the floor.
- 4 / Check that the post notch is facing outwards.
- 5 / Fixed floor with torx 5X80.
- 6 / Lift the roof into place, making sure the carved notches fit. There must be no open angles or cracks.
- 7 / Mount the plate on the inside with torx 5X40. Check that there are no cracks or openings.
- 8 / Mount the kip from below with torx 5X50
- 9 / Mount the lock with torx 5X80 Check that everything is securely fastened and the housing is stable.