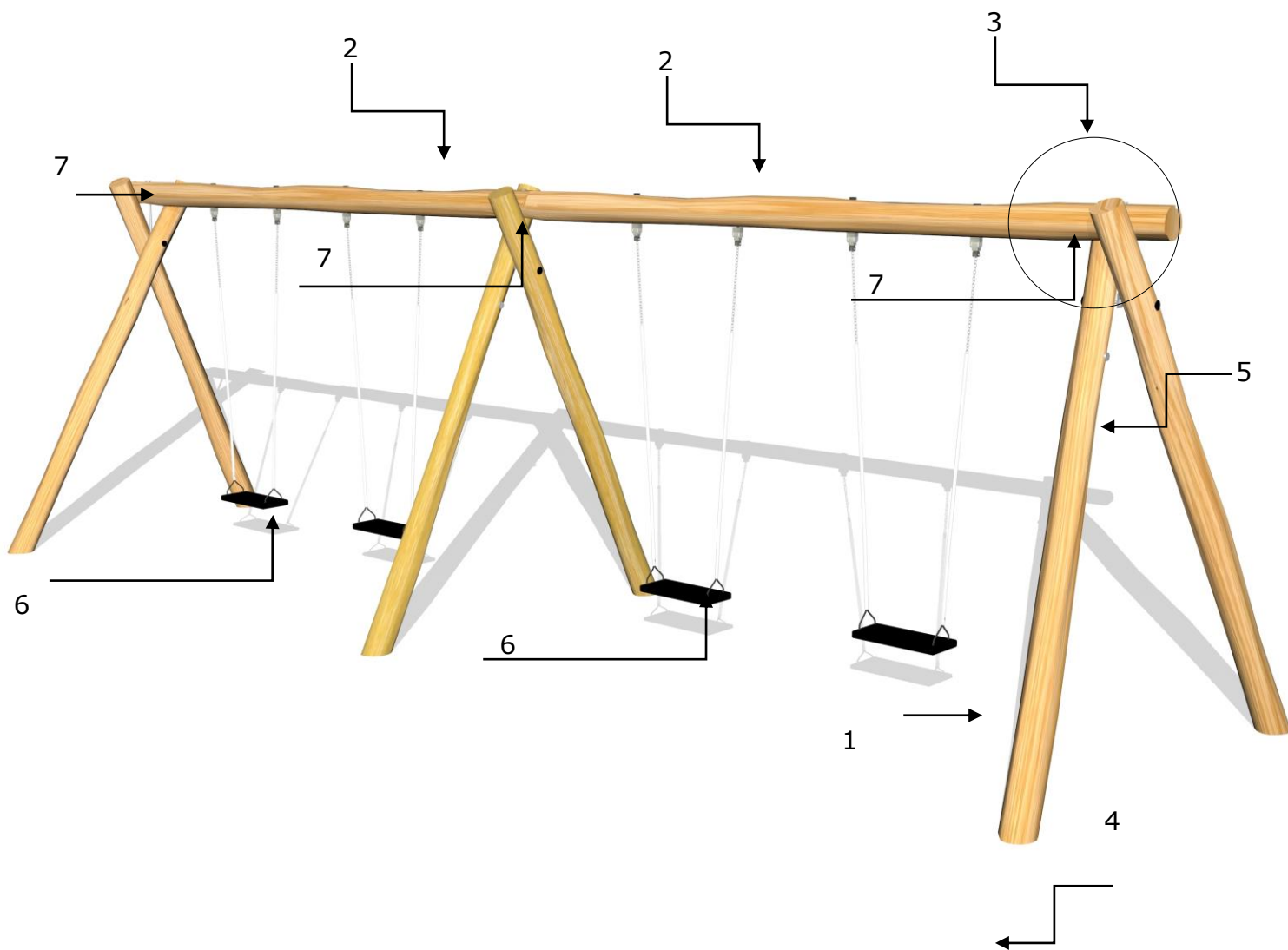


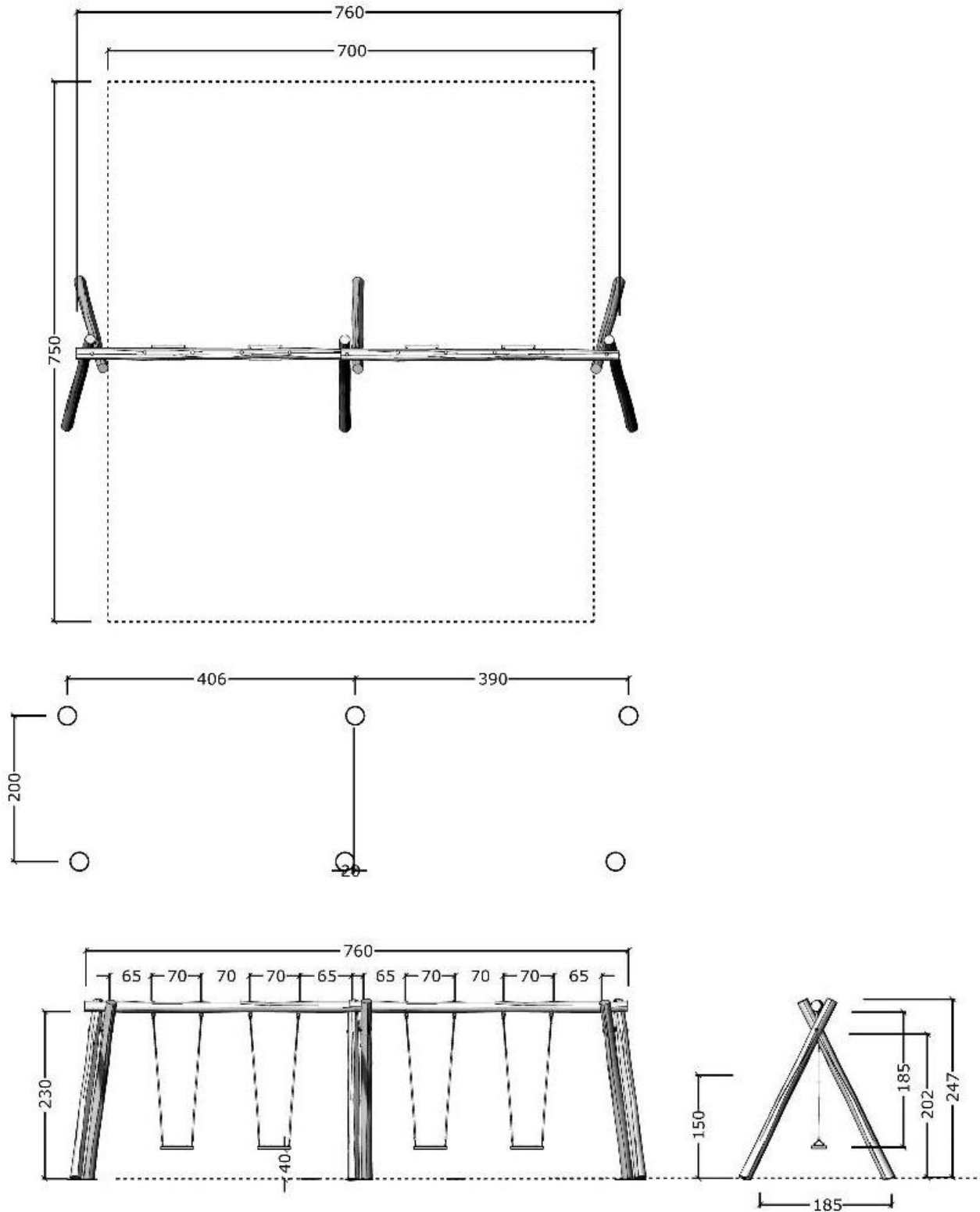
Serie: Swings	Item no.:1027	Date:06.03.2020	Agegroup: 3+
Mounting time:7 Hours	Security area:57m2	Requires surfacing:Yes	Fall height: 150 cm
Total weight:300kg	Largest single part:400 cm	Weight, largest part:60 kg	



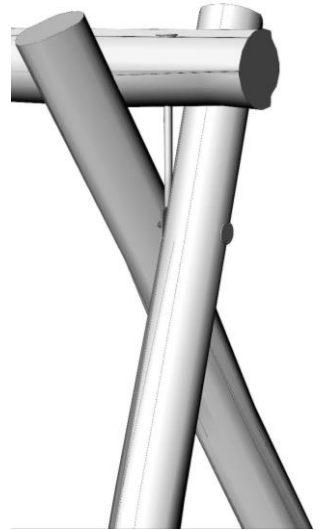
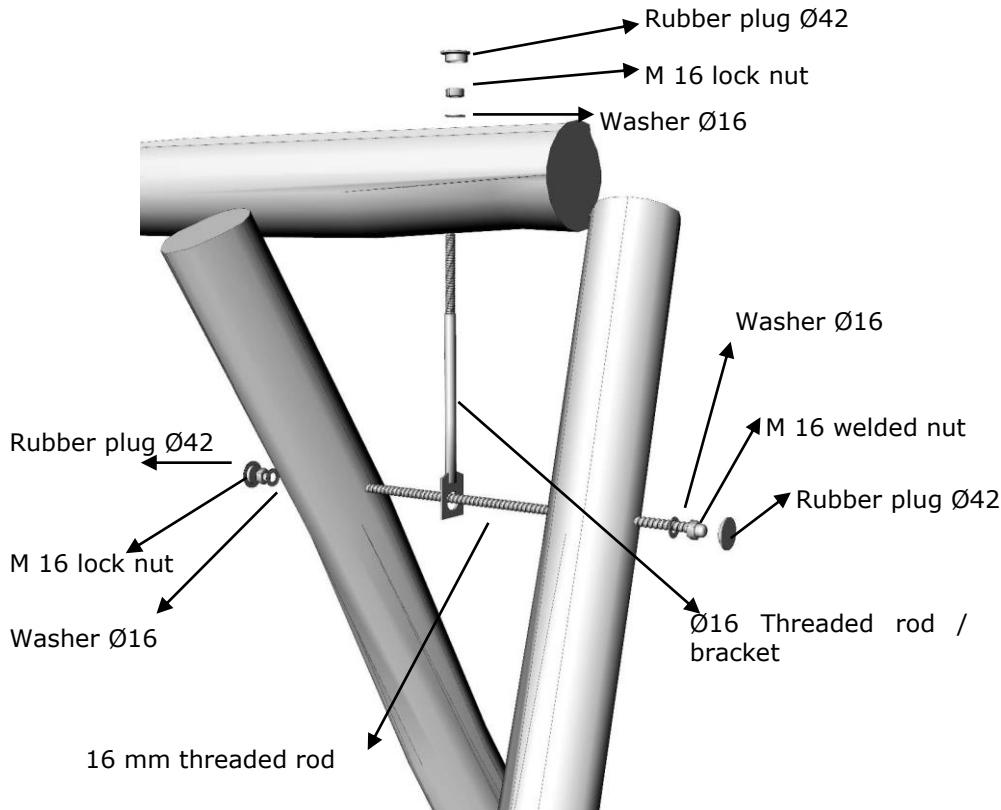
Itemlist:

No.:	Item no.:	Description	Dimension	Amount
1	ST 360	Robinia post	Ø14-16 L=360cm	6
2	VA 400 H	Robinia beam/swing cross bar	Ø14-16 L=400cm	2 se tegning
3	MPG	Mounting princip	see Drawing MP 04	3
4	FD F2	Foundation ST	see Drawing FD F1	6
5	PS	Productionsign	see Drawing PS	1
6	GG	Rubberswings, incl chains		4

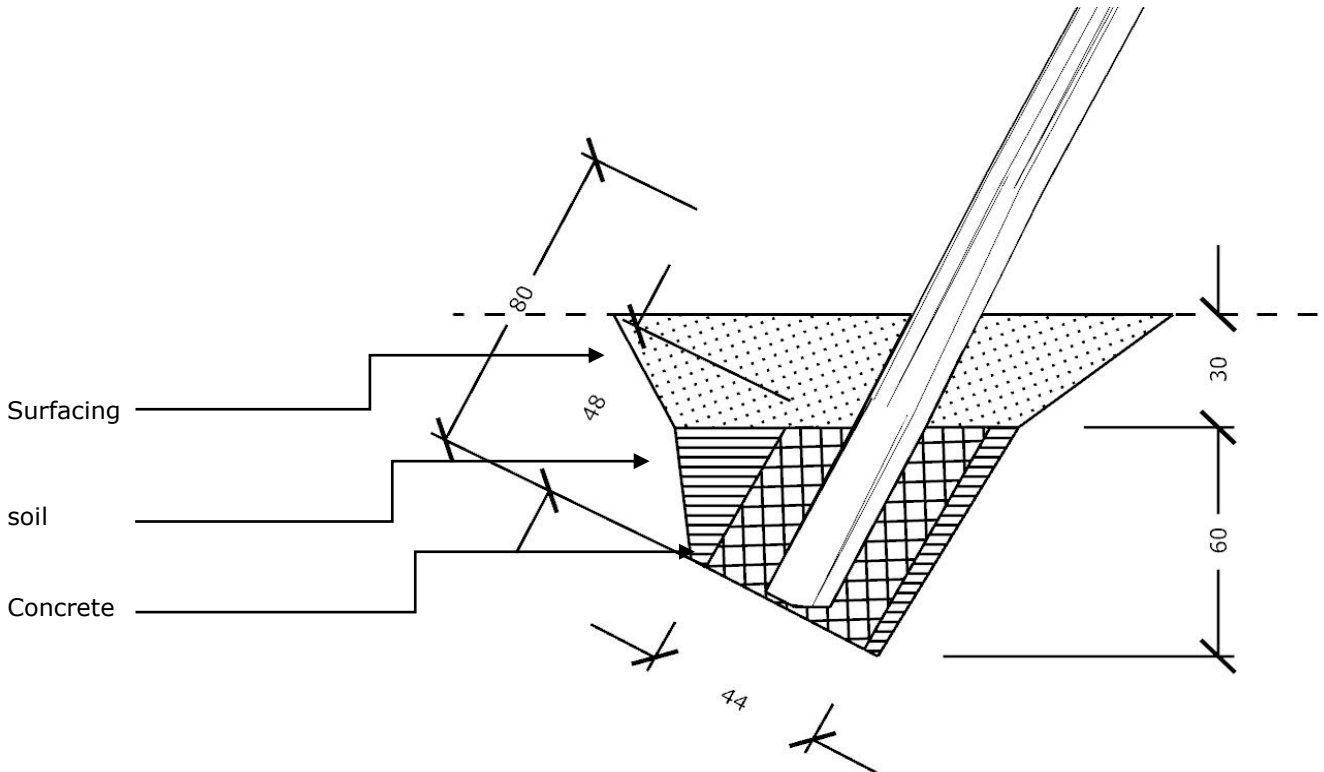
Serie: swing	Item no.:1027	Date:06.03.2020	Agegroup: 3+
Mounting time:7 hours	Security area:57m2	Requires surfacing:Yes	Fall height: 150 cm
Total weight:300kg	Largest single part:400 cm	Weight, largest part:60 kg	



Serie: Swings	Item no.:1027	Date:06.03.2020	Agegroup: 3+
Mounting time:7 hours	Security area:57m2	Requires surfacing:Yes	Fall height: 150 cm
Total weight:300kg	Largest single part:400 cm	Weight, largest part:60 kg	



Mounting princip MPG



Foundation, FD F2

