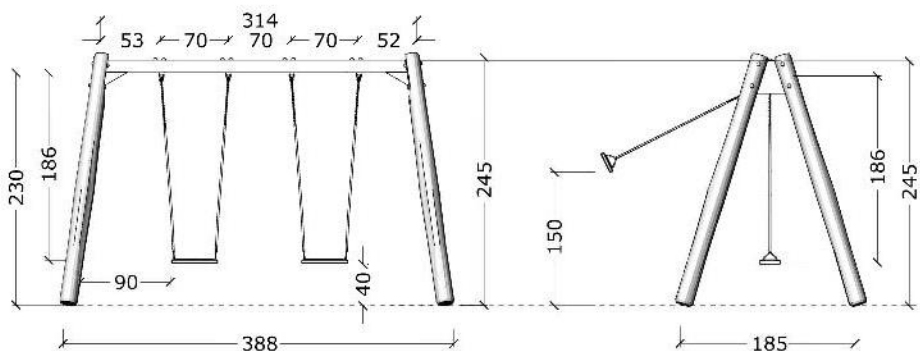
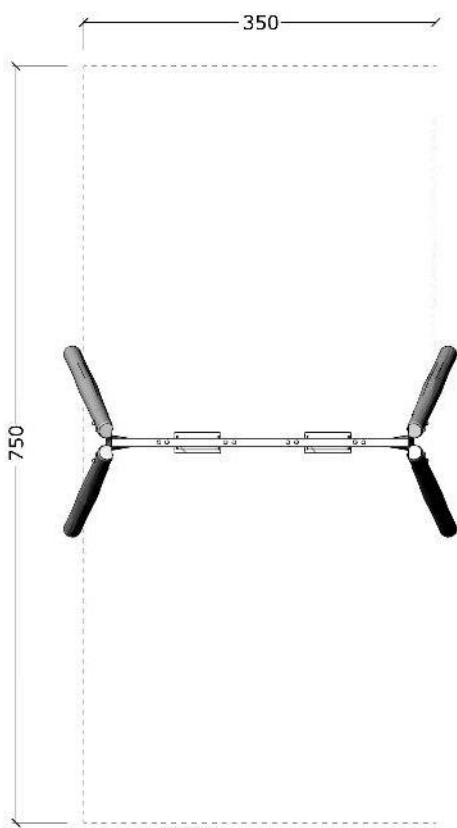


1044

Swing set with steel lintel , robinia legs and two rubber swings

Datasheet



Series: Swings

Item no.:1044

Date:1.3.2016

Agegroup: 3+

Mounting time:5 hours

Security area:26,5m2

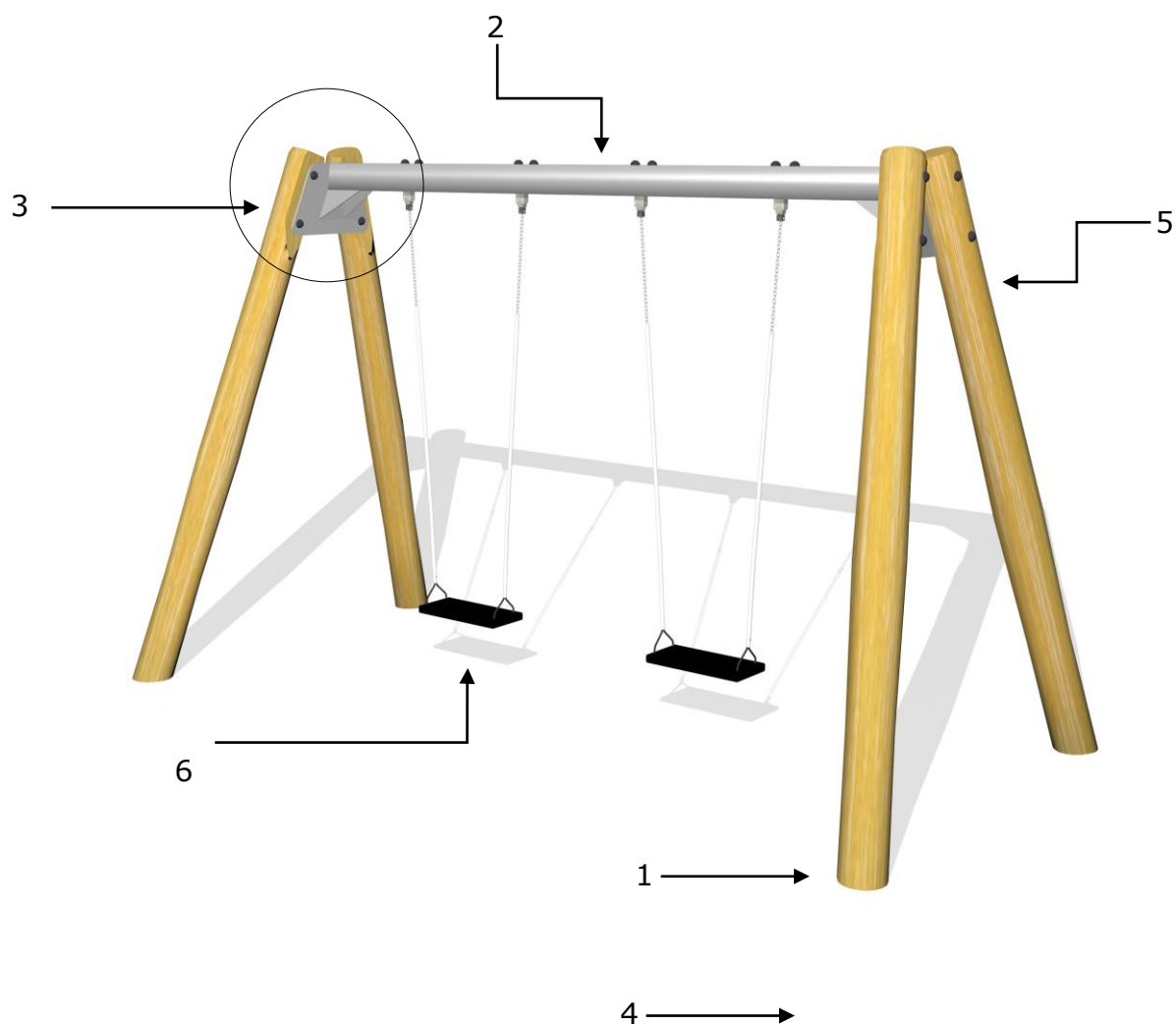
Requires surfacing:Yes

Fall height: 150 cm

Total weight:320kg

Largest single part:350cm


Weight, largest part:60 kg




## Stykliste:


No.:	Item no.:	Description	Dimension	Amount
1	ST 360	Robinia post	Ø14-16 L=360cm	4
2	GVA 314S	Steel lintel, with mounted brackets	L=314cm	1
3	MPG	Mounting principle	se tegning MPG	2
4	FD F2	Foundation ST	se tegning FD F1	4
5	PS	Productionsign	se tegning PS	1
6	GG	Rubberseat, incl. chain / shackle		2


Series: Swings	Item no.:1044	Date:1.3.2016	Agegroup: 3+
Mounting time:5 hours	Security area:26,5m2	Requires surfacing:Yes	Fall height: 150 cm
Total weight:320kg	Largest single part:350cm	Weight, largest part:60 kg	

Møtriks hus → 

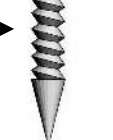
Plug → 


16 mm washer → 

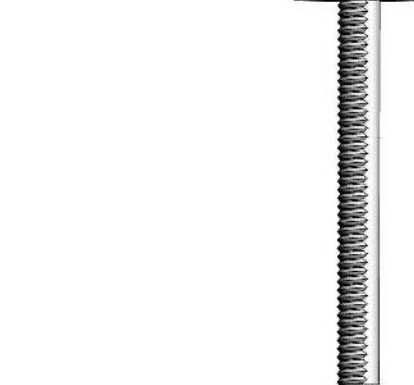
16 mm threaded rod, with welded nut → 


Nut house → 


16 mm washer → 

French screw, 12X90 → 


Nut house → 



Nut house → 

16 mm washer → 

16 mm nut → 

Plug → 

French screw, 12X90 predrilled with Ø10

