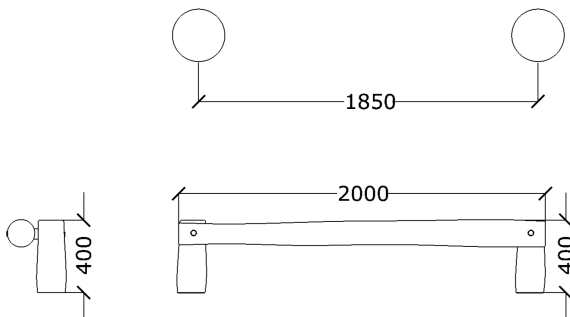


14 m²



Serie: 29 serien	Item no.: 2904	Date: 08.10.2018	Age group: 1+
Demands fall underlay: No	Security area: 14 m ²	Fall height: 40cm	Mounting time: 2 timer
Number of installers: 1	Total weight: 45 kg	Largest part: 200 cm	Weight largest part: 22kg
Kg concrete per hole: 25 kg	Predrilled: Ja	Delivered assebled: Nej	Disability access: -