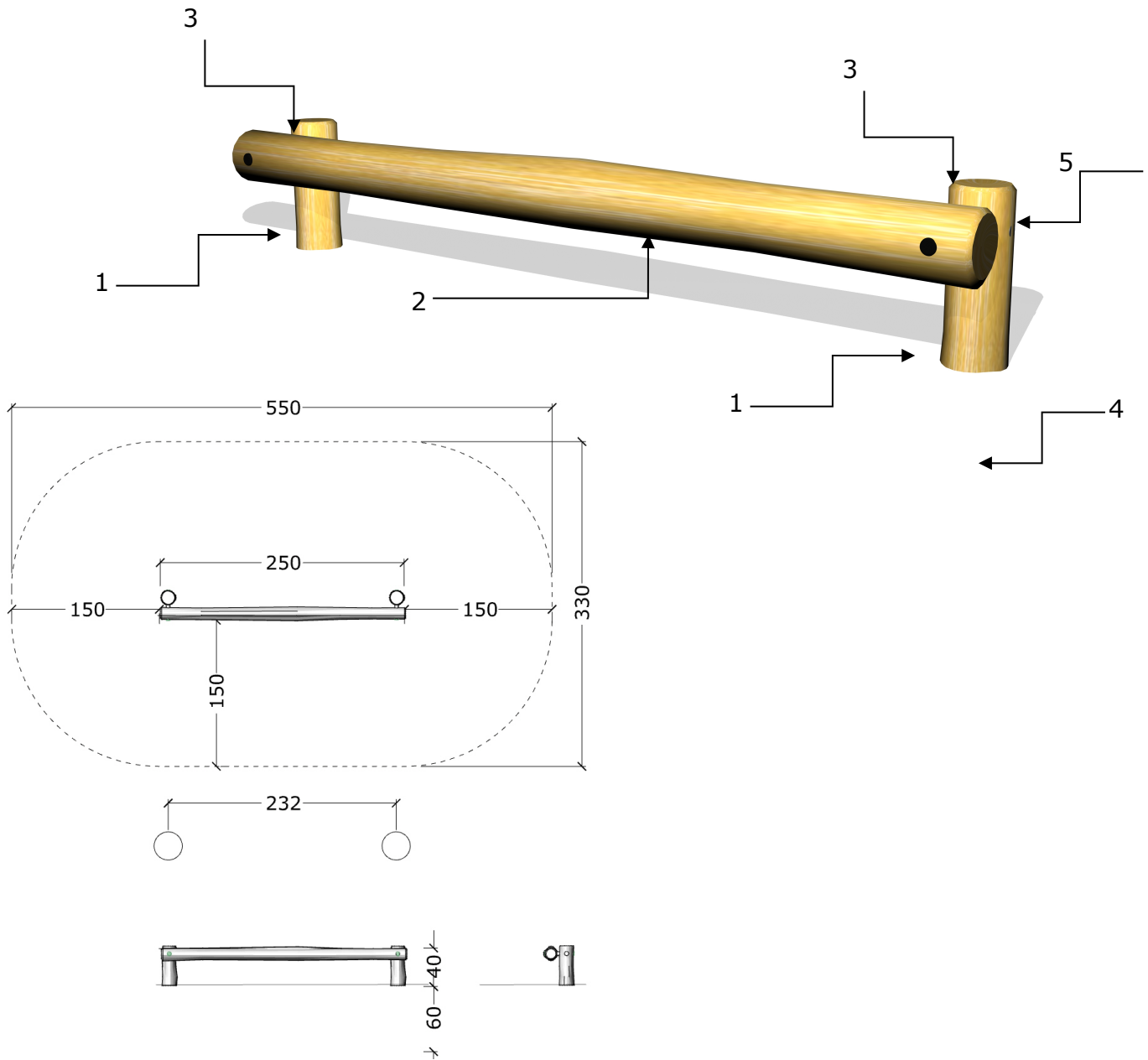


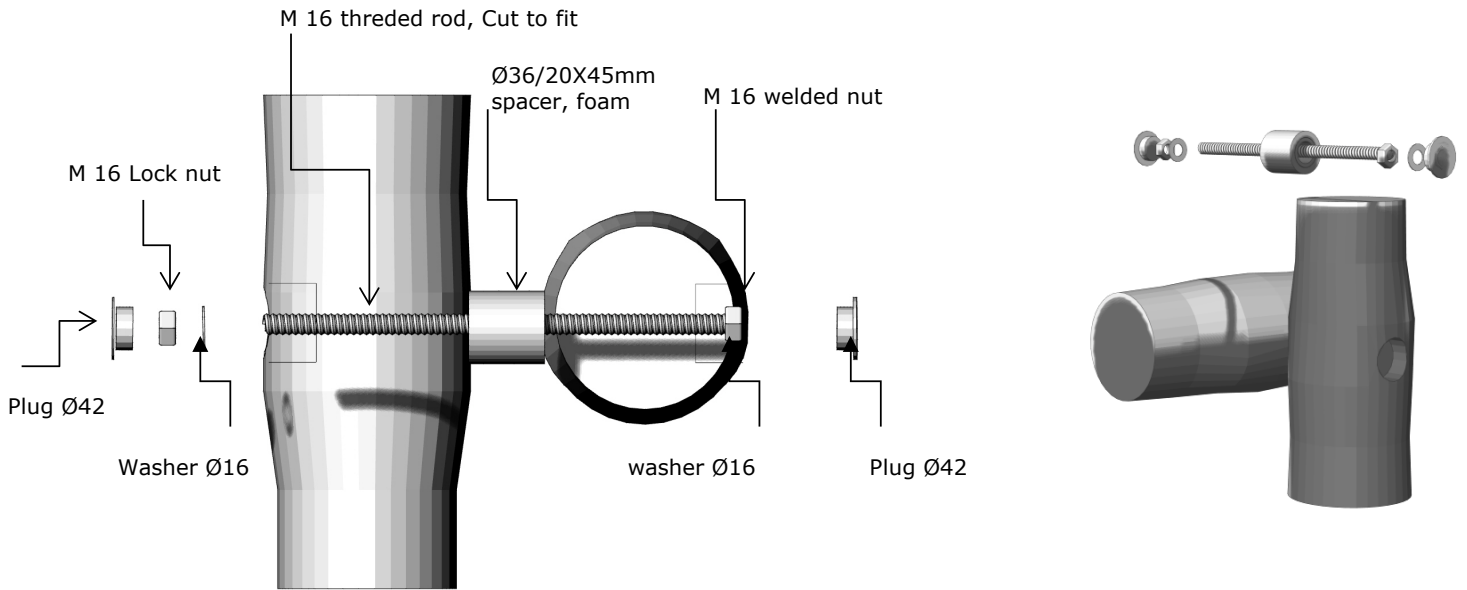
Serie: Balance	Item no.: 3504	Date: 09.11.2018	Age group: 1+
Mounting time: 2 hour	Security area: 17 m2	Demands fallunderlay: No	Fall high: 40 cm
Total weight: 50 kg	Largest part: 250 cm	Weight, largest single part: 25 kg	



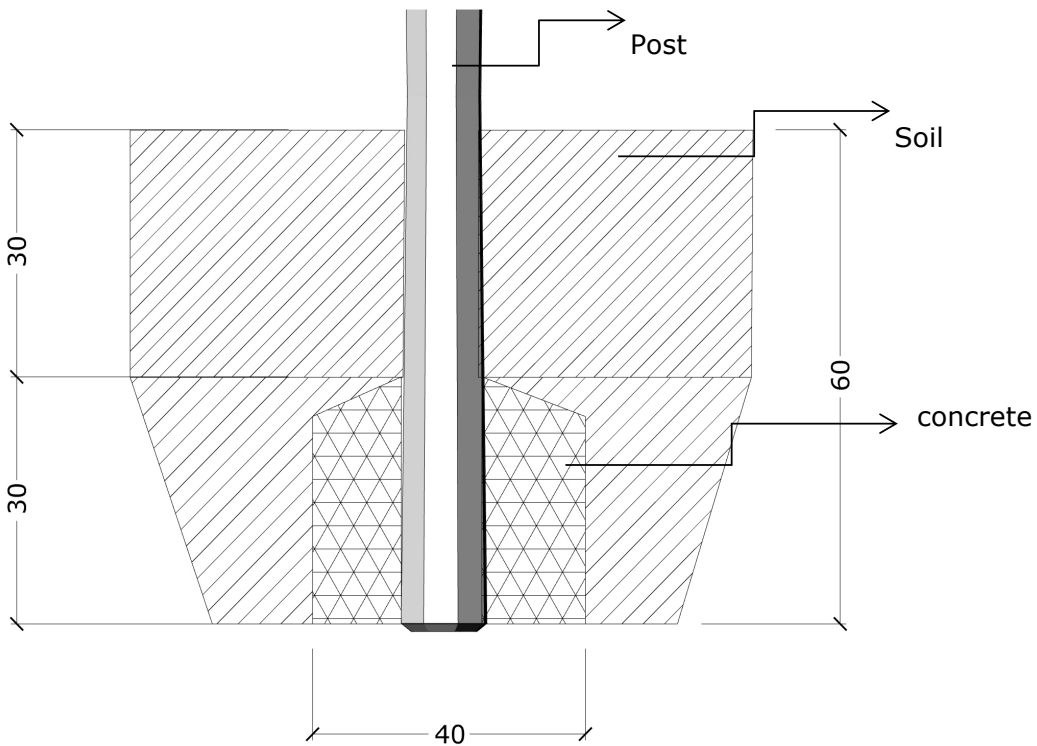
Stykliste:

No.:	Item no.:	Description	Dimension	Amount
1	ST 100	Robinia post	Ø14-16 L=100cm	2
2	VA 250	Robinia beam	Ø14-16 L=250cm	1
3	MP 04	Assembly princip	See drawing MP 04	2
4	FD F1	Foundation ST	See drawing FD F1	2
5	PS	Productionsign	See drawing PS	1

Serie: Balance	Item no.: 3504	Date: 09.11.2018	Age group: 1+
Mounting time: 2 hour	Security area: 17 m2	Demands fallunderlay: No	Fall high: 40 cm
Total weight: 50 kg	Largest part: 250 cm	Weight, largest single part: 25 kg	



Assembly princip MP 04



Foundation, FD F1