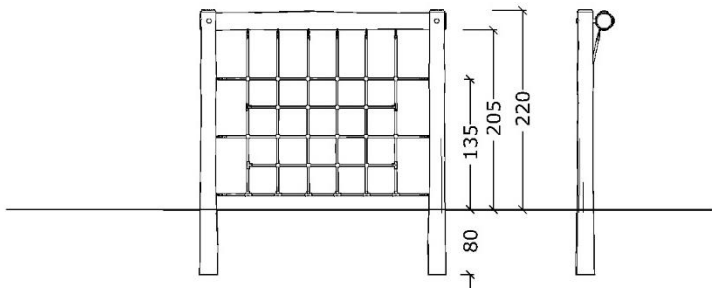
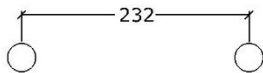
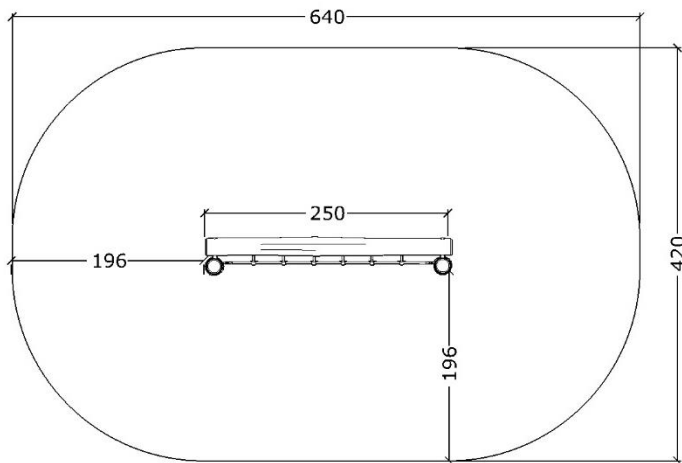
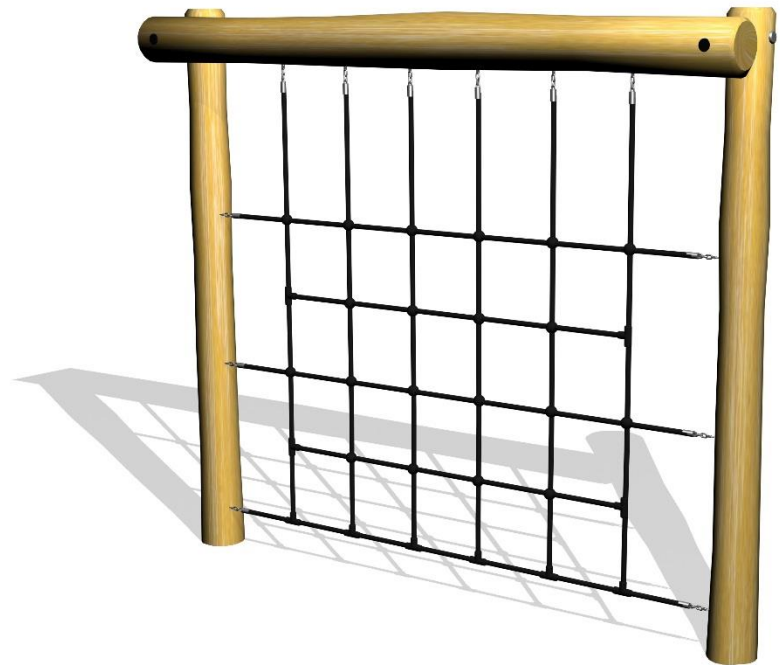
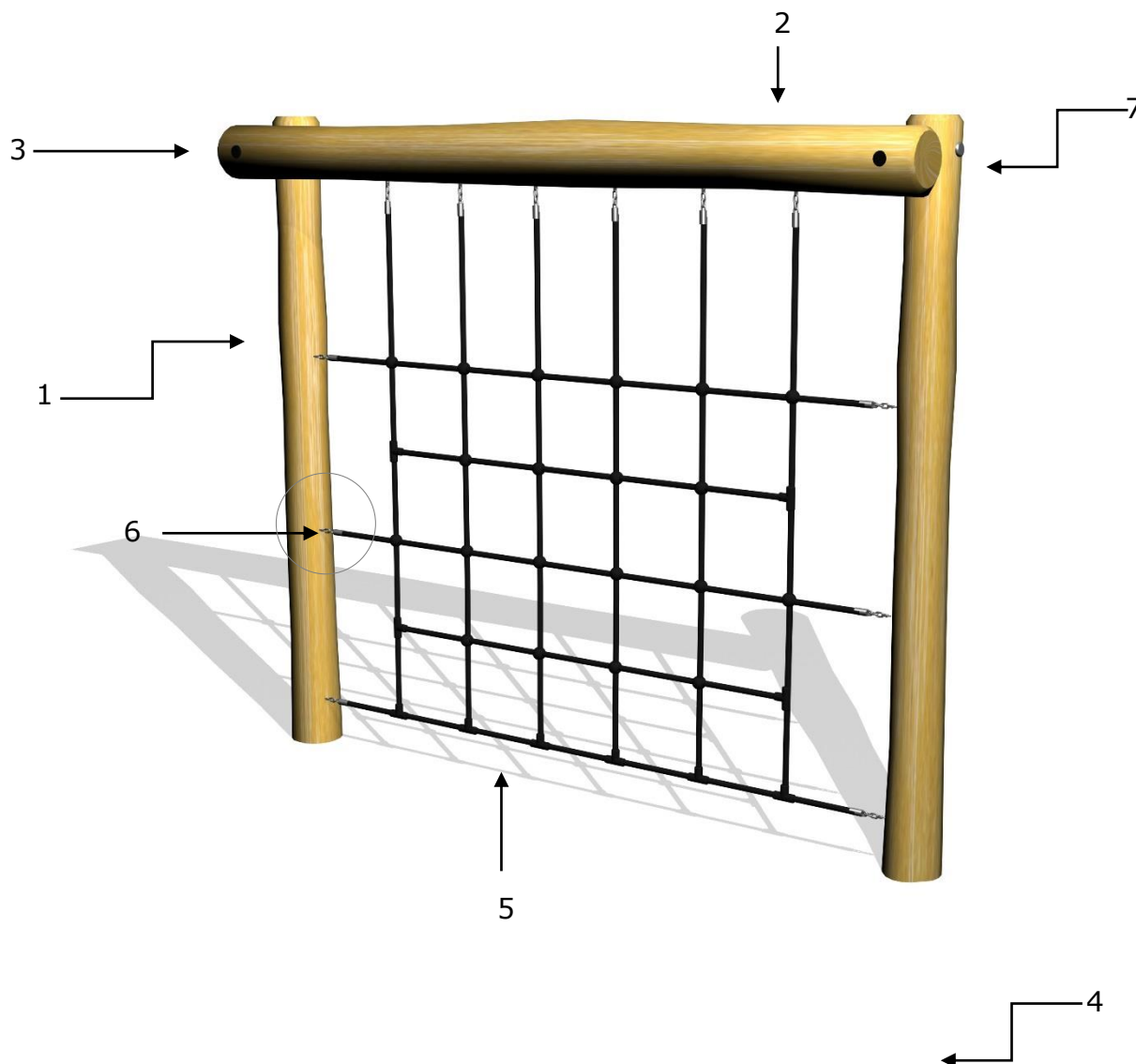


Series: Balance	Item no.:3560	Date:06.03.2020	Age group: 3+
Mounting time:5 hour	Security area:24m <sup>2</sup>	Demands fall surface:Yes	Fall height:220 cm
Total weight:98kg	Largest single part:300 cm Weight, largest single part:30 kg		

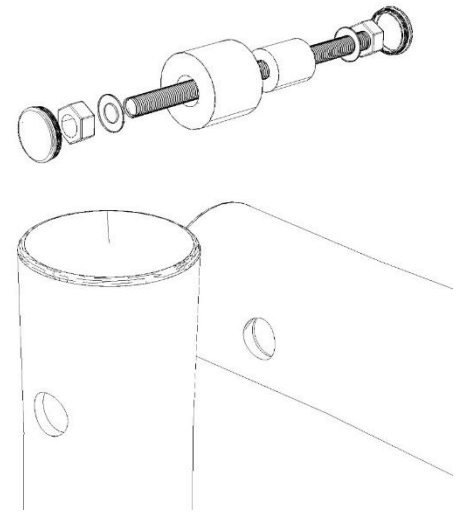
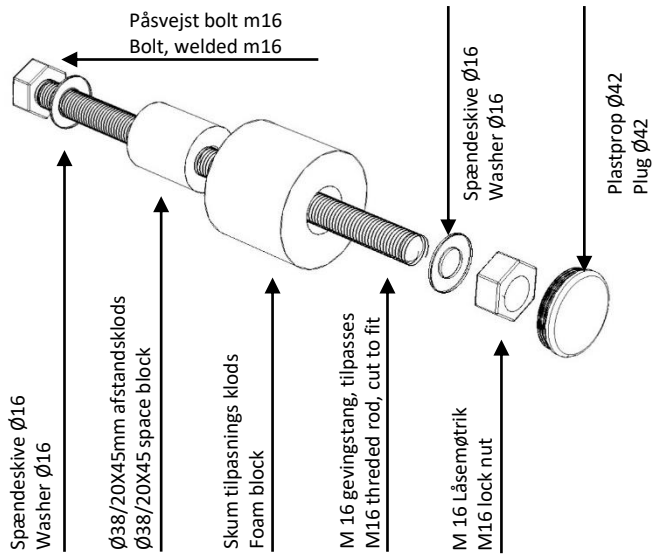


Series: Balance	Item no.:3560	Date:06.03.2020	Age group: 3+
Mounting time:5 hour	Security area:24m2	Demands fall surface:Yes	Fall high:220 cm
Total weight:98kg	Largest single part:300 cm Weight, largest single part:30 kg		

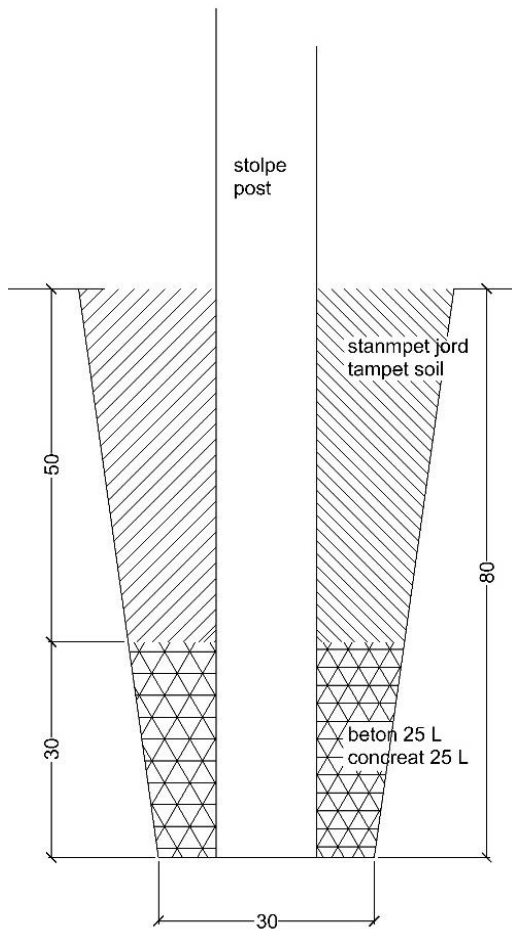


Stykliste:

No.:	Item no.:	Description	Dimension	Amount
1	ST 300	Robinia post	Ø14-16 L=300cm	2
2	VA 250	Robinia beam	Ø14-16 L=250cm	1
3	MP 04	Assembly princip	See Drawing MP 04	2
4	FD F1	Foundation ST	see Drawing FD F1	2
5	LN205	Taifun net With chain	see Drawing LN205	1
6	MP 07	Assembly princip Robe / Post	see Drawing MP 07	12
7	PS	Production sign	see Drawing PS	1



Montageprincip MP04  
 Assembly princip MP04



Fundering, FD F1  
 Foundation FD F1



Montageprincip MP07  
 Assembly princip MP07