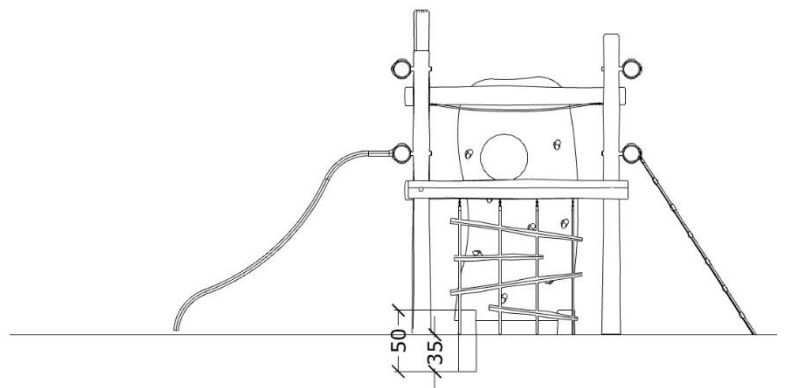
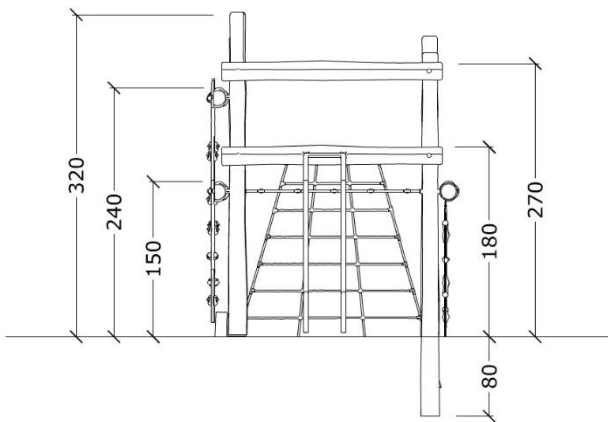
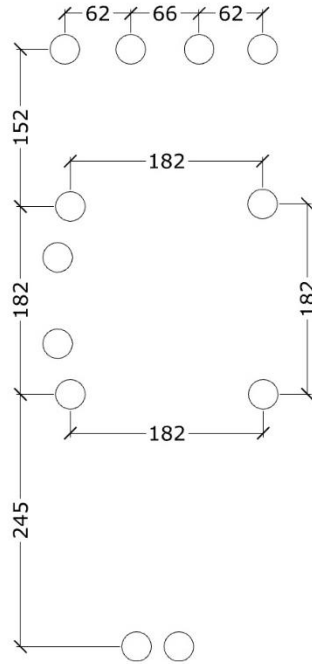
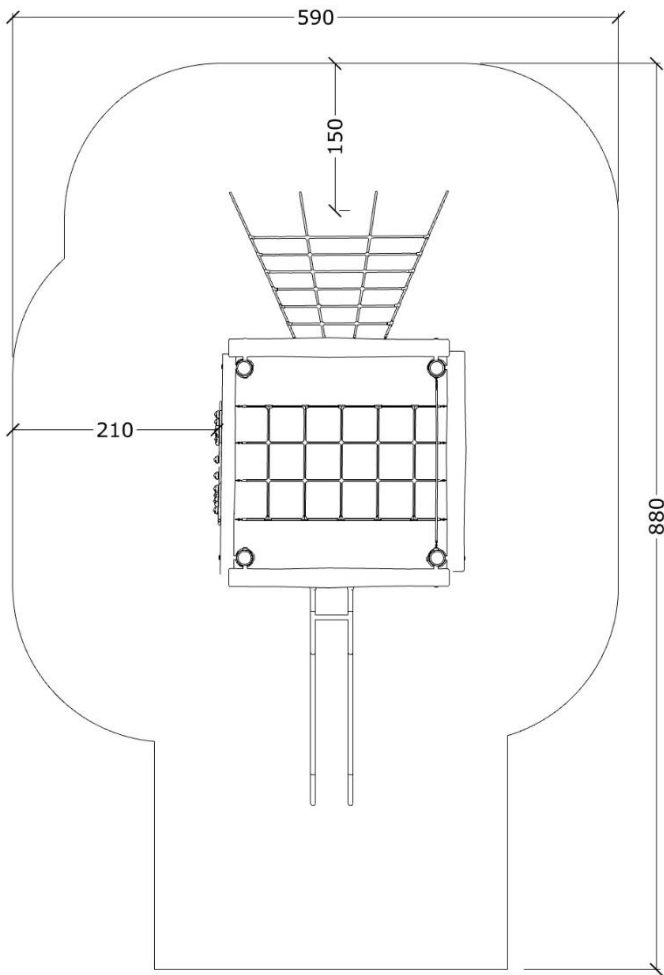




| | | | |
|-----------------------|----------------------------|----------------------------|--------------------|
| Series: Balance | Item no.:3579 | Date:12.3.2014 | Agegroup 3+ |
| Mounting time:8 hours | Security area:47 m2 | Requires surfacing:Yes | Fall height:240 cm |
| Total weight:250 kg | Largest single part:400 cm | Veight, largest part:35 kg | |



Series: Balance

Item no.:3579

Date:12.3.2014

Agegroup 3+

Mounting time:8 hours

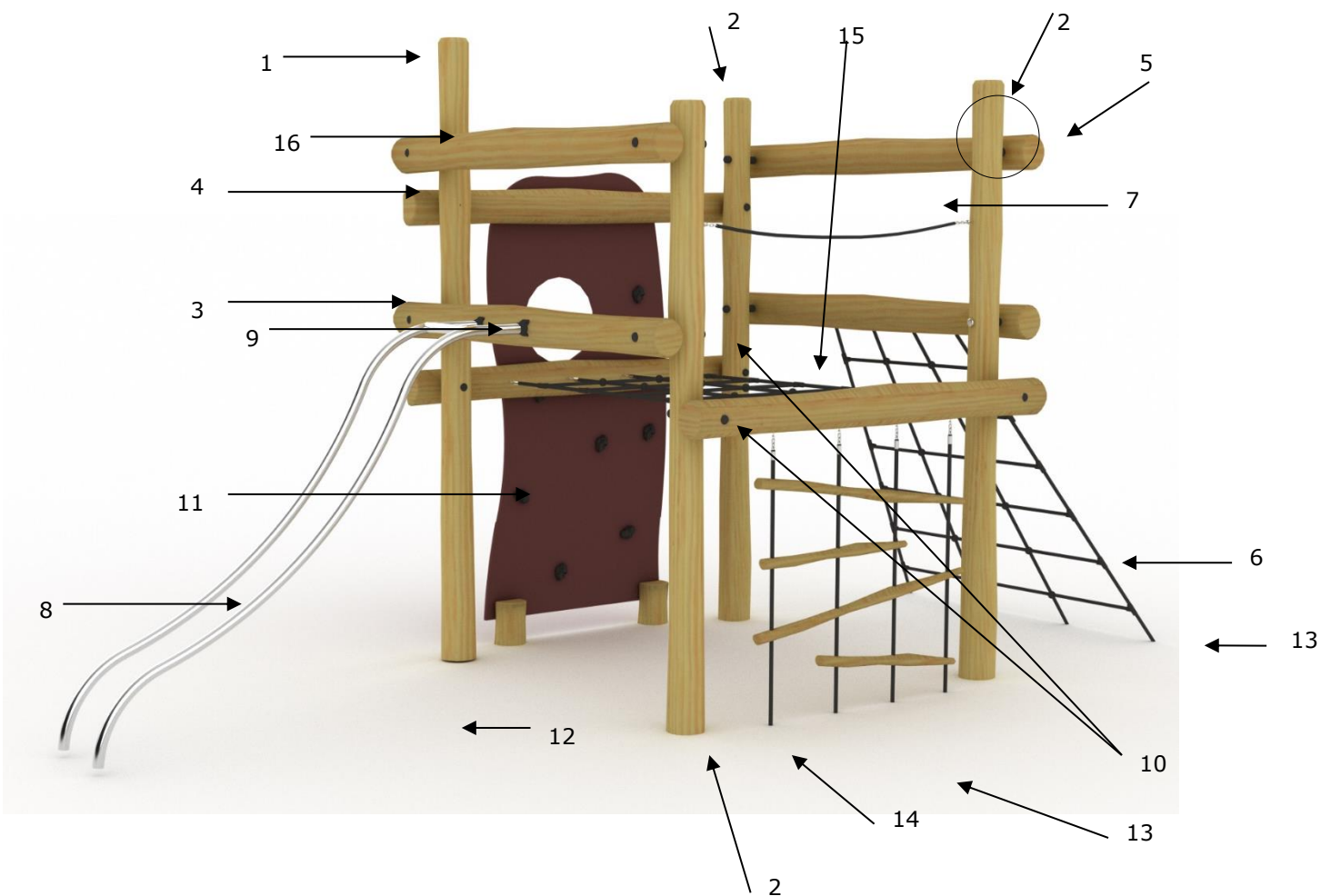
Security area:47 m2

Requires surfacing:Yes

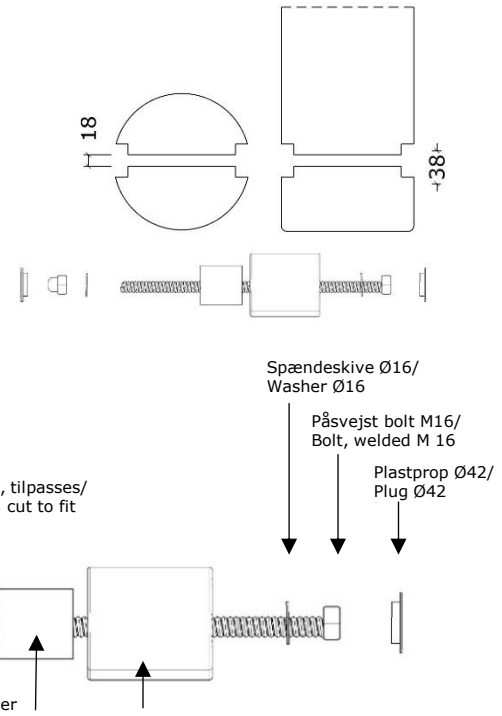
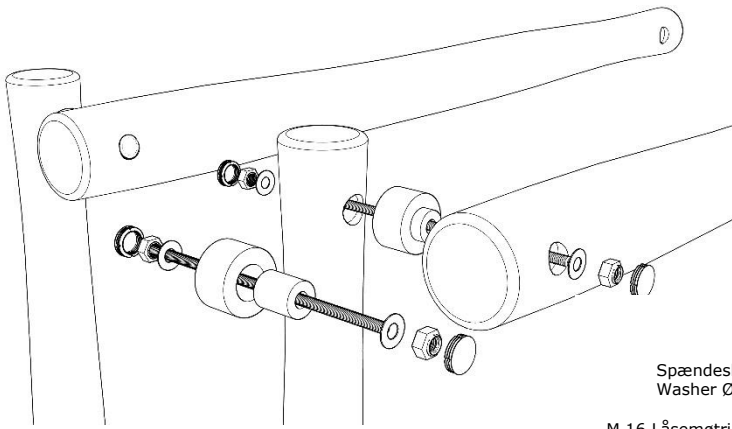
Fall height:240 cm

Total weight:250 kg

Largest single part:400 cm Veight, largest part:35 kg

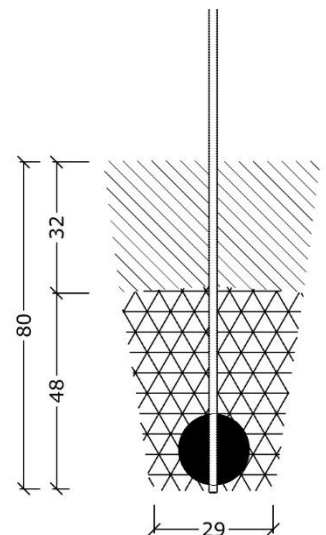
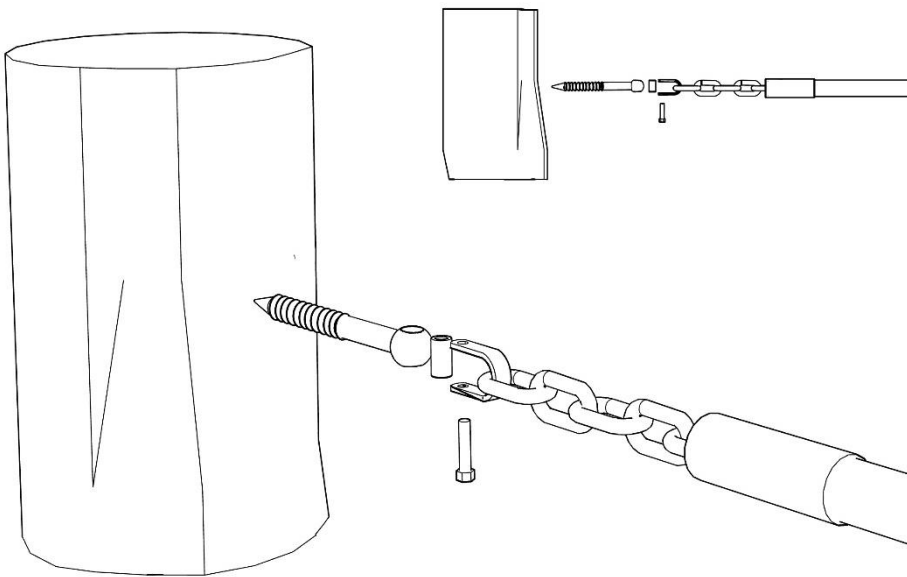


| No.: | Item no.: | Description | Dimension | Amount |
|------|-----------|----------------------------------|---------------------|--------|
| 1 | ST 400 | Robinia post, | Ø14-16 L=400cm | 1 |
| 2 | ST 360 | Robinia post, | Ø14-16 L=360cm | 3 |
| 3 | VA 200 | Robinia beam | Ø14-16 L=200cm | 5 |
| 4 | VA 200 S | Robinia beam, cut 1 side | Ø14-16 L=200cm | 2 |
| 5 | MP 04 | Mounting principle | see drawing MP 04 | 14 |
| 6 | SN 180 | net with chain | see drawing SN 180 | 1 |
| 7 | Tov 170 | net with chain | See drawing net 170 | 1 |
| 8 | GL 180 | Sliding bar 180 | H=180 | 1 |
| 9 | MP 12 | Mounting principle pipe | see drawing MP12 | 2 |
| 10 | MP07 | Mounting principle net/post/beam | See drawing MP07 | 18 |
| 11 | BB240 | Climbing plate | see drawing MP12 | 1 |
| 12 | FD F1 | Foundation, post | see drawing FD F1 | 4 |
| 13 | MP FD09 | Mounting principle net/soil | see drawing FD09 | 4 |
| 14 | STN 200 | Post net 200 | see drawing STN 200 | 1 |
| 15 | VN | Horizontal net with chain | see drawing VN | 1 |
| 16 | PS | Producer sign | see drawing PS | 1 |

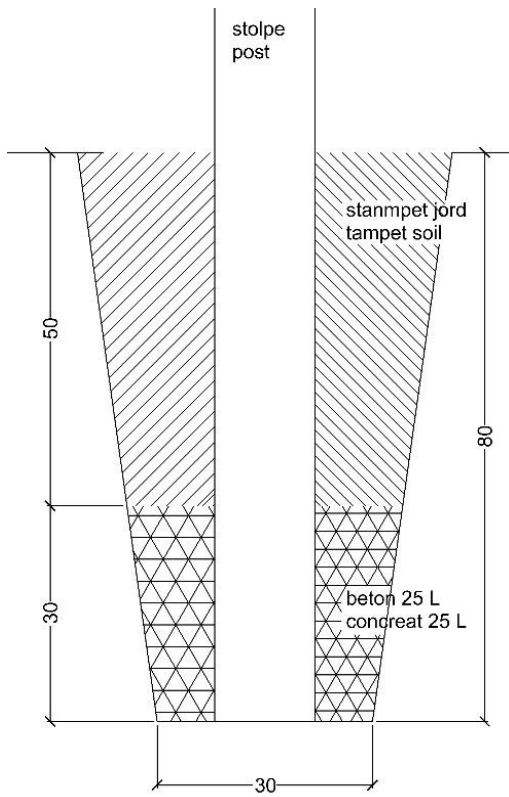


Montering vanger /
Mouting of beams

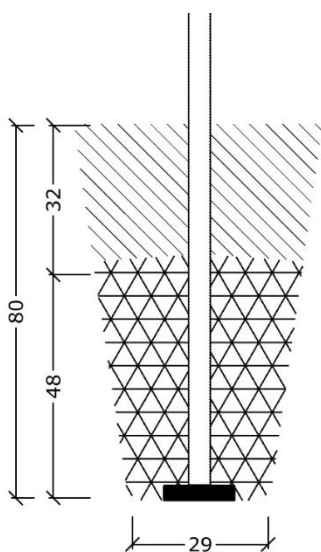
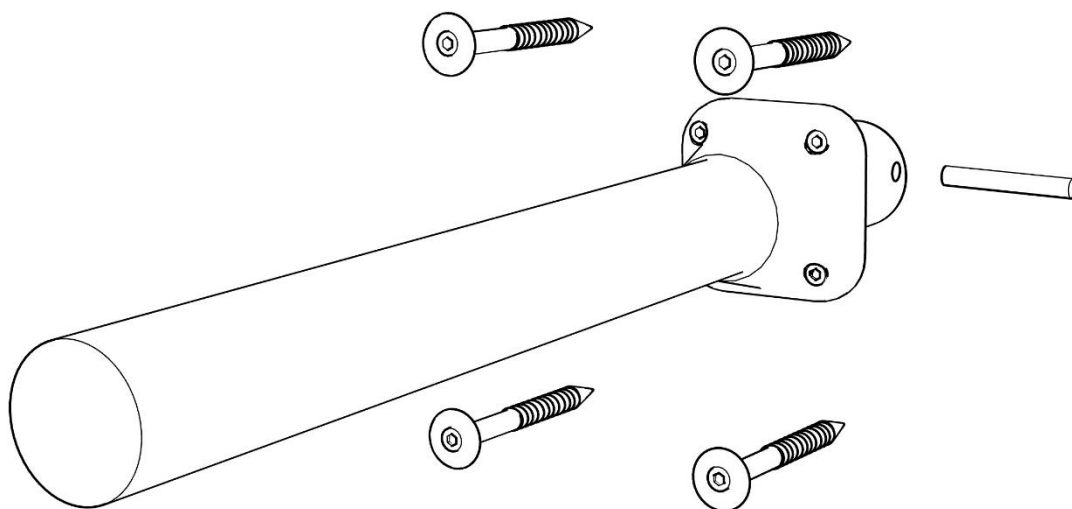
Mouting principle
MP 04



Mouting principle
MP 07



Mounting principle
FD F1



GS 240

