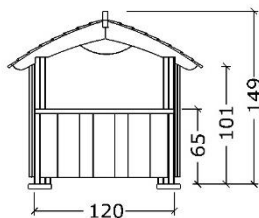
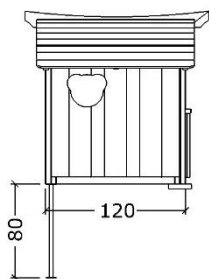
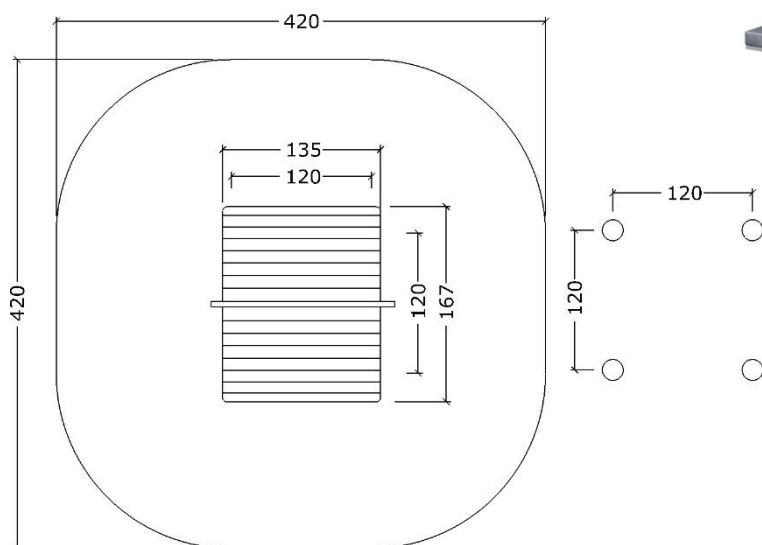


5010

Legehus Bjørnebo / Playhous Bjørnebo

Datablad / data sheet



Serie: Legehus

Vare nr.: 5010

Dato: 16.03.2020

Aldersgruppe: 1+

Kræver faldunderlag: No

Sikkerhedsareal: 15 m<sup>2</sup>

Faldhøjde: 16 cm

Monteringstid: 4 timer

Antal montører: 2

Samlet vægt: 105 kg

Største enkelt del: 120X120 cm

Vægt største enkelt del: 20 kg

Kg beton pr hul: 25 kg

Forboret: Nej

Leveres samlet: Delvist

Handicap venligt: -



Serie: Playhouse

Item no.: 5010

Date: 16.03.2020

Age group: 1+

Demands fall underlay: No

Security area: 15 m<sup>2</sup>

Fall high: 16 cm

Mounting time: 4 hour

Numbers of installers: 2

Total weight: 105 kg

Largest part: 120X120 cm

Weight, largest part: 20 kg

Kg of concrete per hole: 25 kg

Predrilled: No

Delivered assembled: Partly

Disability access: -



## Elements liste:

1	Stolpe	4
2	Gulv	1
3	Høj side	2
4	Lav side	1
5	Tag	1
6	Kip	1
7	Bord	1
8	Bænk	2

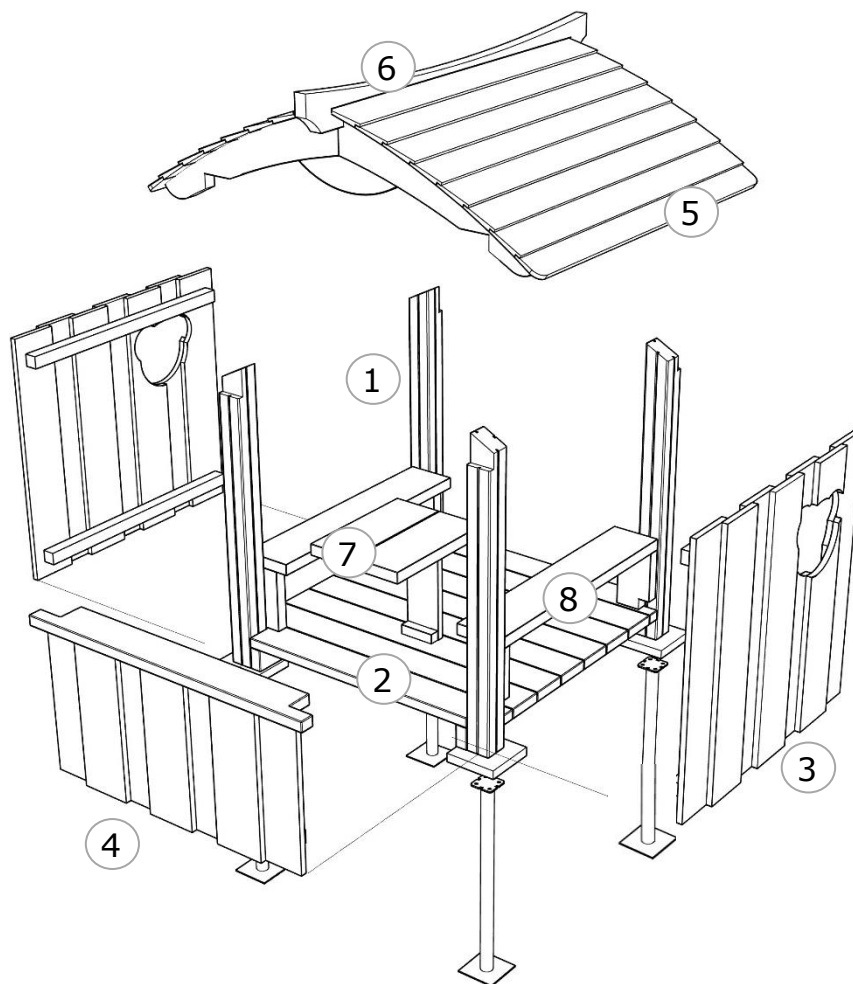
Alt skal forbores



## Elements list:

1	Post	4
2	floor	1
3	High side	2
4	Low side	1
5	Roof	1
6	Kip	1
7	Table	1
8	bench	2

Everything has to be pre-drilled



## Montage beskrivelse:

- 1/ Placer gulvet på et plant ikke sugende underlag.
- 2/ Placer fliserne i forhold til gulvets udskæringer. Sørg for at de ligger stabilt og er i vage.
- 3/ Placer stolper i gulvets udskæringerne, kontroller at stolpens hak vender udad.
- 4/ Fastmonter gulv.
- 5/ Fastmonter sider
- 6/ Løft de 2 tagsider på plads, kontroller at de udskårede hak passer. Der må ikke være åbne vinkler eller sprækker. Monter samtidig kip bredt så de øverste taglister "låses."
- 7/ Monter "hanebåndsplade" med 4X40, 8 stk pr plade, kontroller at der ikke er åbninger
- 8/ Kontroller at alt er godt fastgjort og at huset står stabilt.
- 9/ Monter bænke og bord.

Legehuset leveres som standard til placering på fliser. Skal huset fastmonteres, skal der tilkøbes 4 stk. stolpesko og P2 erstattes af nedgravning H=75cm.



## Installation description:

- 1 / Place the floor on a flat, non-absorbent surface.
- 2 / Position the tiles in relation to the floor cuts. Make sure they are stable and vague.
- 3 / Place posts in the carvings of the floor, make sure the notch of the post is facing outwards.
- 4 / Fixed floor.
- 5 / Fixed sides
- 6 / Lift the 2 roof pages into place, making sure the carved notches fit. There must be no open angles or cracks. At the same time mount the kip wide so that the top roof rails "are locked."
- 7 / Mount "tapestry plate" with 4X40, 8 pieces per plate, check that there are no openings
- 8 / Make sure everything is securely fastened and the house is stable.
- 9 / Mount benches and tables.

The playhouse is supplied as standard for placement on tiles.

If the house is to be fixed, 4 pieces must be purchased. posts and P2 are replaced by burial H = 75cm.

