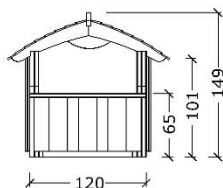
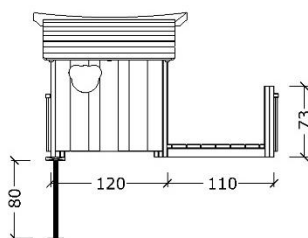
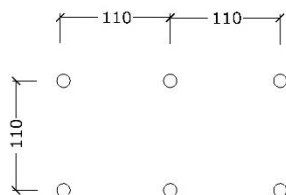
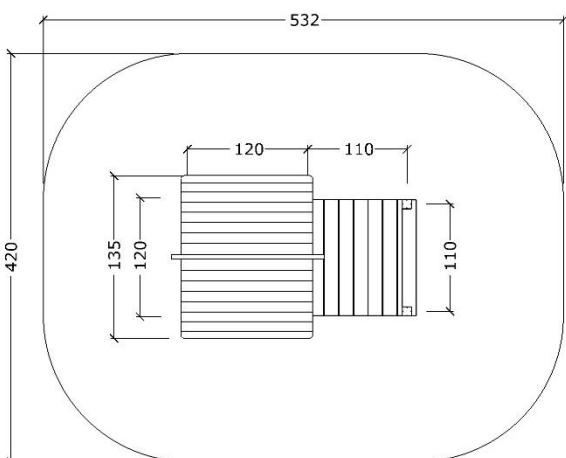


5018

Legehus Bjørnebo med dobbeltgulv / Playhous with dobbelt floor

Datablad / data sheet



Serie: Legehus	Vare nr.: 5018	Dato: 10.02.2020	Aldersgruppe: 1+
Kræver faldunderlag: No	Sikkerhedsareal: 19 m ²	Faldhøjde: 16 cm	Monteringstid: 4 timer
Antal montører: 2	Samlet vægt: 125 kg	Største enkelt del: 1.2X1.2 cm	Vægt største enkelt del: 20 kg
Kg beton pr hul: 25 kg	Forboret: Nej	Leveres samlet: Delvist	Handicap venligt: -



Serie: Playhouse	Item no.: 5018	Date: 10.02.2020	Age group: 1+
Demands fall underlay: No	Security area: 19 m ²	Fall high: 16 cm	Mouting time: 4 hour
Numbers of installers: 2	Total weight: 125 kg	Largest part: 1.2X1.2 cm	Weight, largest part: 20 kg
Kg of concrete per hole: 25 kg	Pre drilled: No	Delivered assembled: Partly	Disability access: -



Elements liste:

1	Stolpe	4
2	Lav stolpe	2
3	Gulv	2
4	Høj side	2
5	Lav side	1
6	Tag	1
7	Kip	1
8	Bord	1
9	Bænk	2

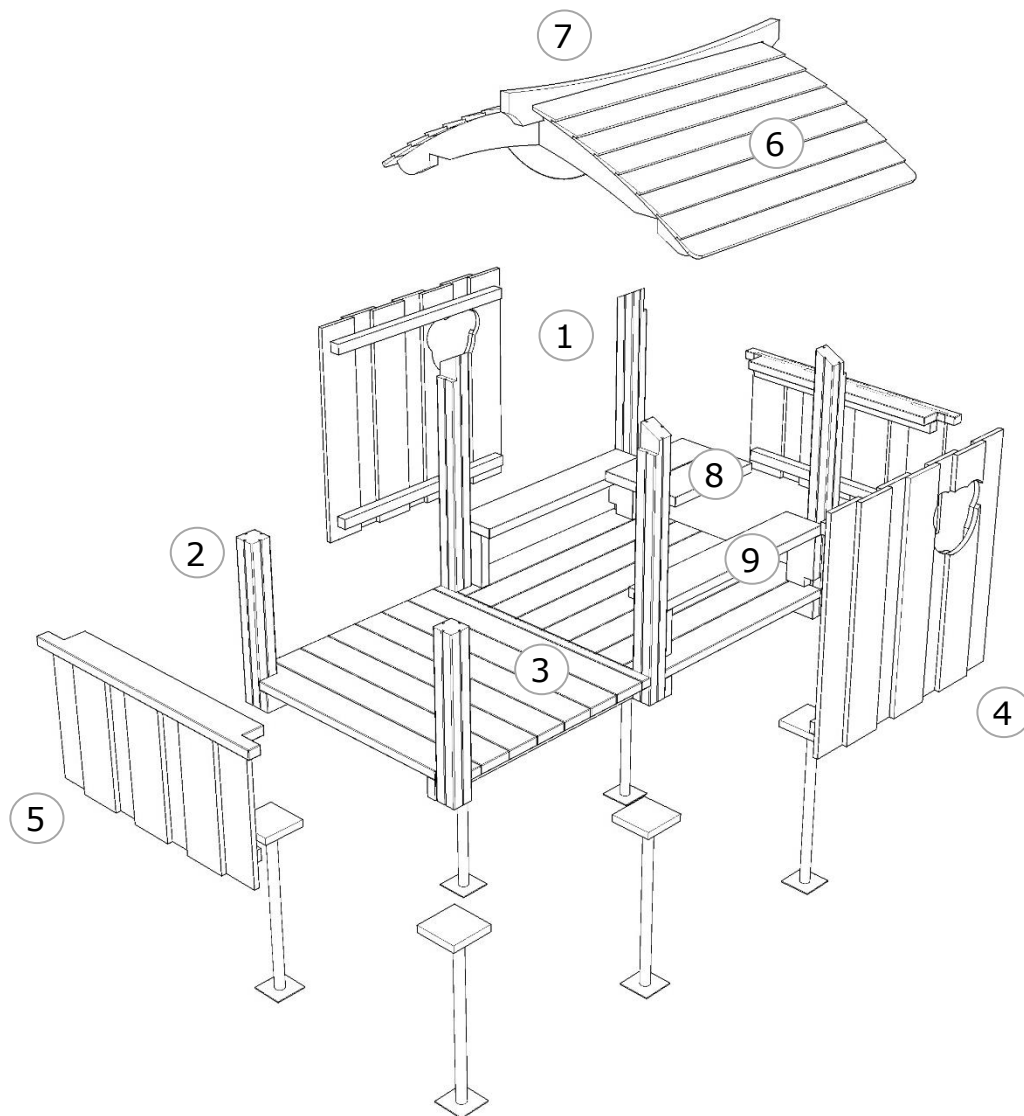
Alt skal forbores



Elements list:

1	Post	4
2	Low post	2
3	floor	2
4	High side	2
5	Low side	1
6	Roof	1
7	Kip	1
8	Table	1
9	bench	2

Everything has to be pre-drilled



Montage beskrivelse:

- 1/ Placer gulven på et plant ikke sugende underlag.
- 2/ Placer fliserne i forhold til gulvets udskæringer. Sørg for at de ligger stabilt og er i vage.
- 3/ Placer stolper i gulvets udskæringerne, kontroller at stolpens hak vender udad.
- 4/ Fastmonter gulve.
- 5/ Fastmonter sider
- 6/ Løft de 2 tagsider på plads, kontroller at de udskårede hak passer. Der må ikke være åbne vinkler eller sprækker. Monter samtidig kip bredt så de øverste taglister "låses".
- 7/ Monter "hanebåndsplade" med 4X40, 8 stk pr plade, kontroller at der ikke er åbninger
- 8/ Kontroller at alt er godt fastgjort og at huset står stabilt.
- 9/ Monter bænke og bord.

Legehuset leveres som standard til placering på fliser. Skal huset fastmonteres, skal der tilkøbes 4 stk. stolpesko og P2 erstattes af nedgravning H=75cm.



Installation description:

- 1 / Place the floor on a flat, non-absorbent surface.
- 2 / Position the tiles in relation to the floor cuts. Make sure they are stable and vague.
- 3 / Place posts in the carvings of the floor, make sure the notch of the post is facing outwards.
- 4 / Fixed floor.
- 5 / Fixed sides
- 6 / Lift the 2 roof pages into place, making sure the carved notches fit. There must be no open angles or cracks. At the same time mount the kip wide so that the top roof rails "are locked".
- 7 / Mount "tapestry plate" with 4X40, 8 pieces per plate, check that there are no openings
- 8 / Make sure everything is securely fastened and the house is stable.
- 9 / Mount benches and tables.

The playhouse is supplied as standard for placement on tiles.

If the house is to be fixed, 4 pieces must be purchased. posts and P2 are replaced by burial H = 75cm.

