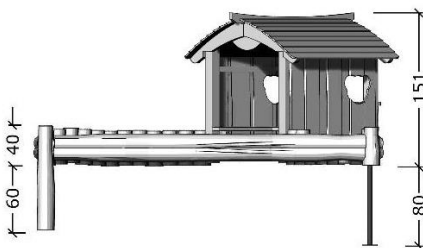
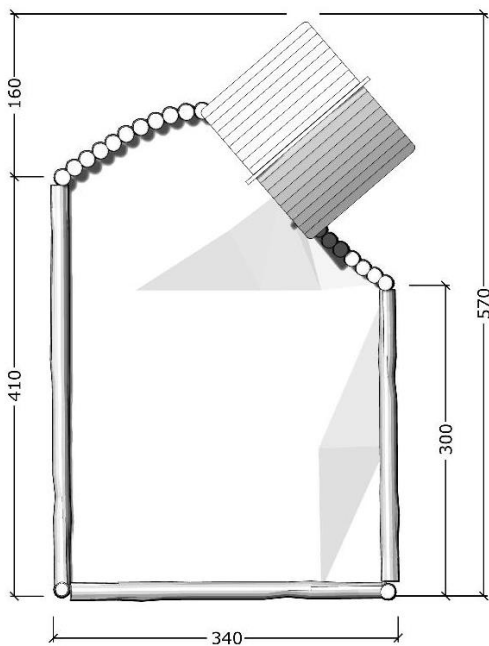
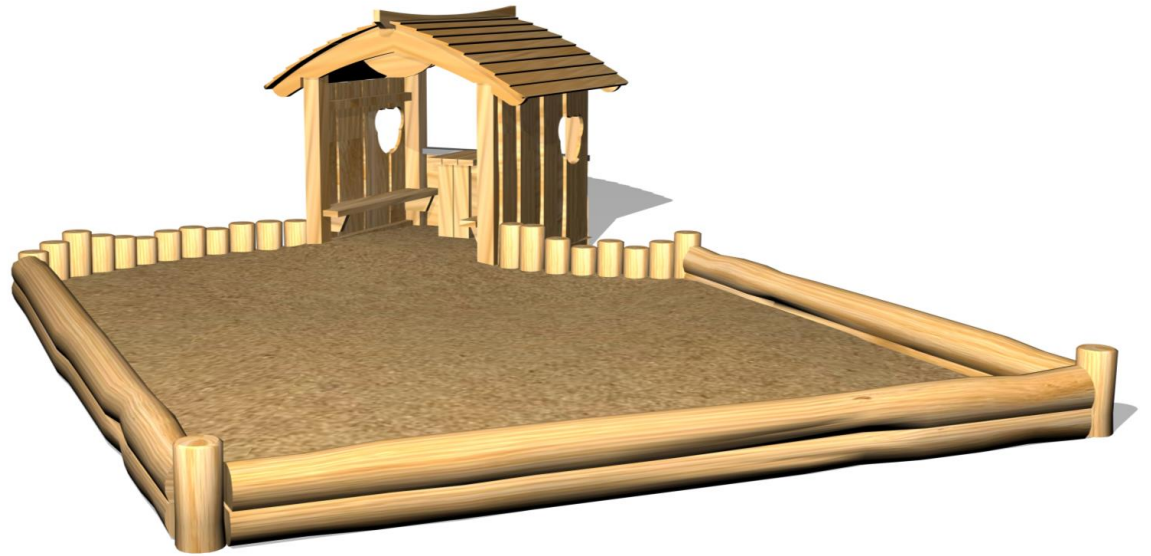
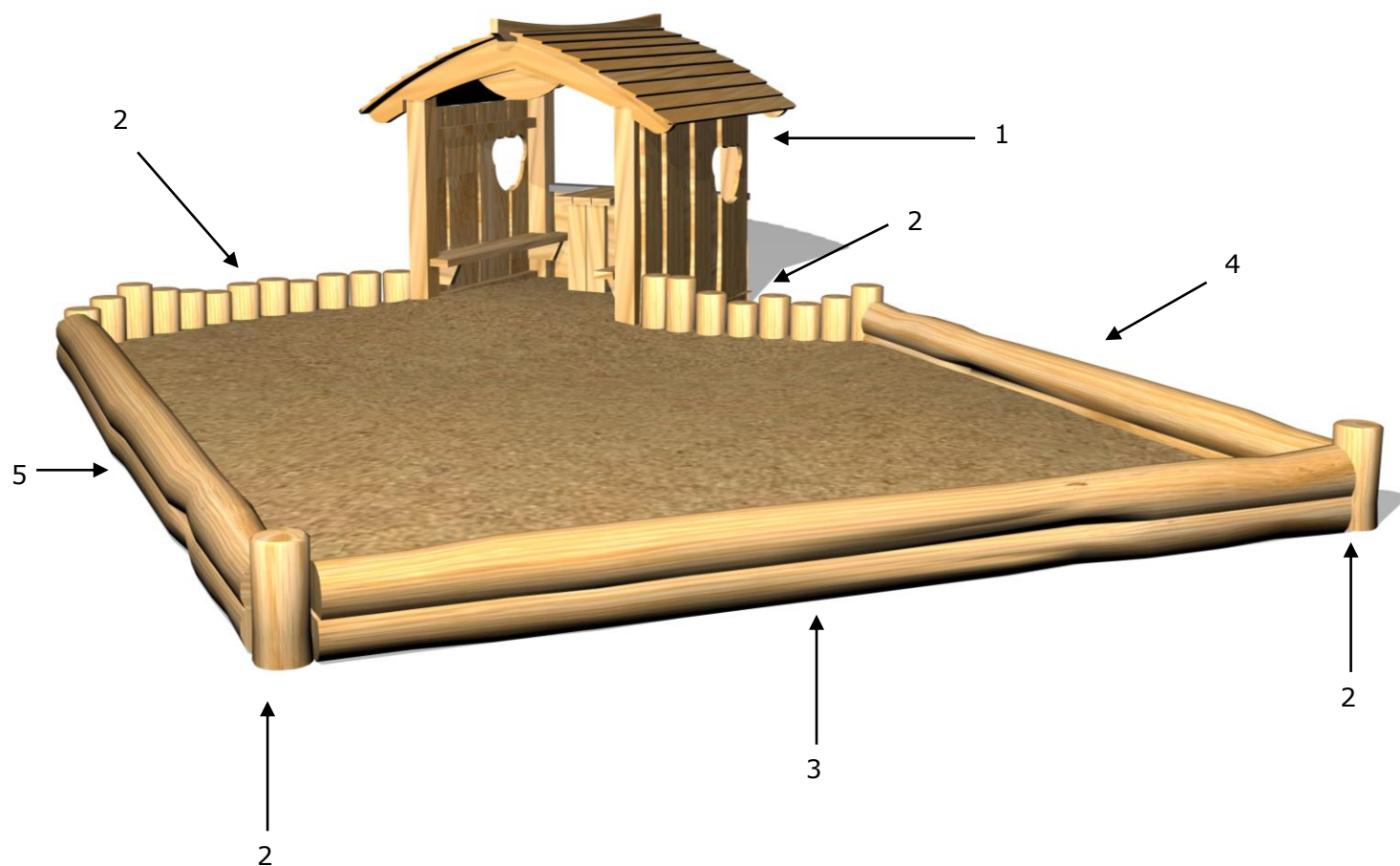


Series: Sand	Item no.:5050	Date:1.7.2016	Age group: 1+
Assembly time:7 hours	Safety ares:	Requires fall surfacing:No	Fall height:32
Total weight:580	Largest single part:400cm	Weight, largest single part :40 kg	

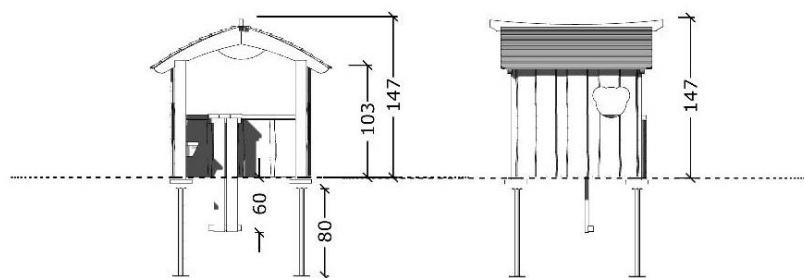
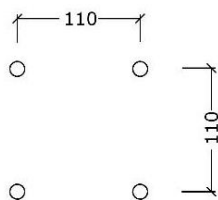
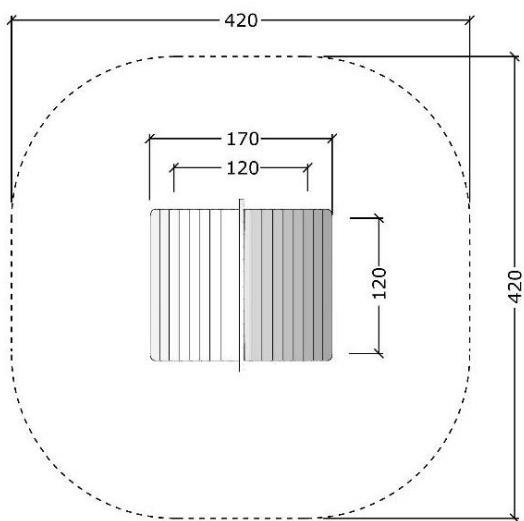


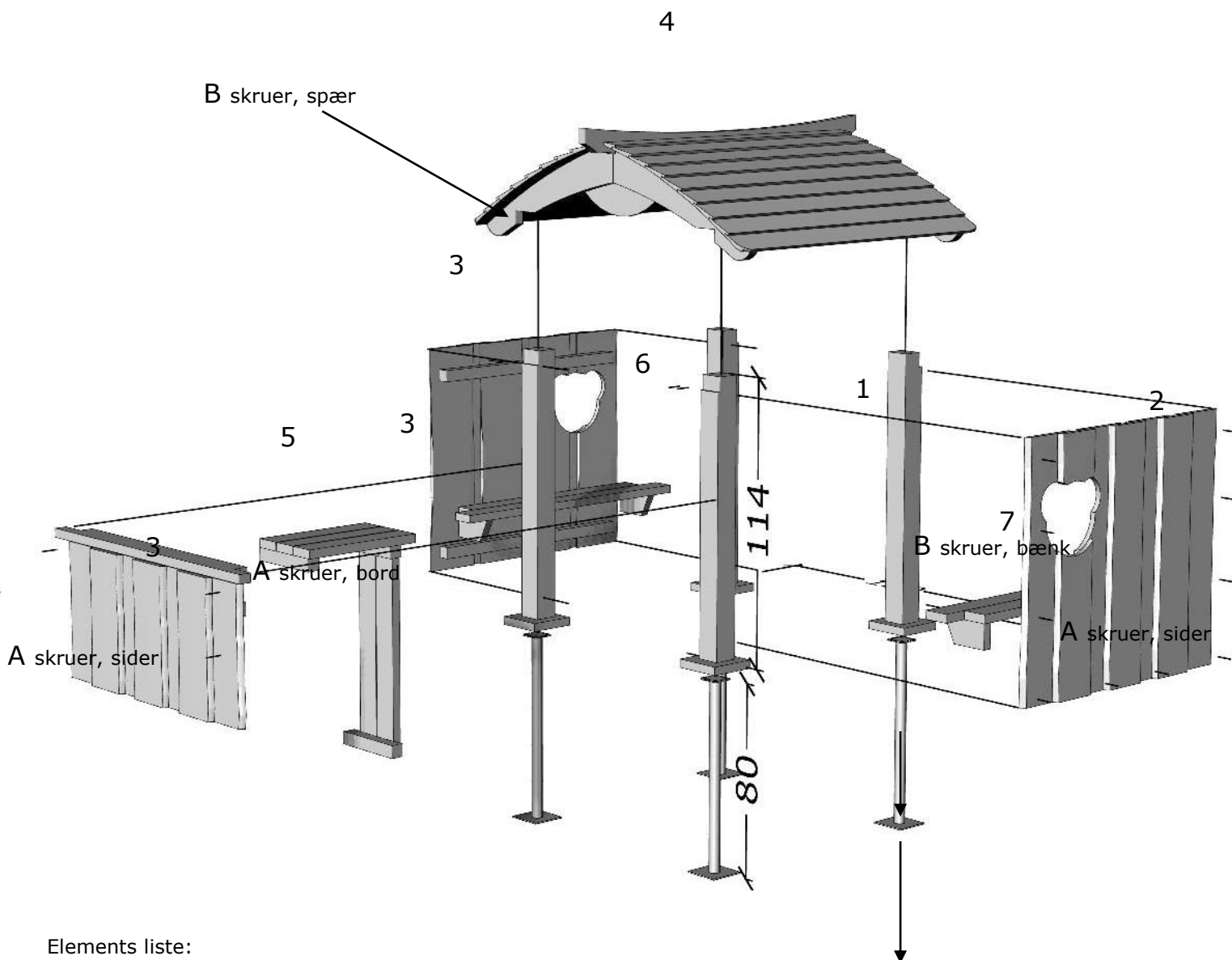
Series: Sand	Item no.:5050	Date:1.7.2016	Age group: 1+
Assembly time:7 hours	Safety ares:	Requires fall surfacing:No	Fall height:32
Total weight:580	Largest single part:400cm	Weight, largest single part :40 kg	



Part list:

No.:	Item no.:	Description	Dimension	Number:
1	5014	Playhaus Bjørnebo	120X120X147 cm	1
2	5039	Robinia palisade post	Ø14-16 L100	22
3	5036	1 side cut robinia	Ø14-16 L=300 (tilskæres)	2
4	5036	1 side cut robinia	Ø14-16 L=350 (tilskæres)	2
5	5036	1 side cut robinia	Ø14-16 L=400 (tilskæres)	2
6	KA 212	Anchor screws 7.5X212		54





Elements liste:

1	Post	4
2	High side	2
3	Low side	1
4	Roof	1
5	Table	1
6	Bench	2

A skruer 5X60  
B skruer 5X80  
Everything must be pre-drilled

Installation description:

- 1 / Position the tiles in relation to drawing Module dimensions 110
- 2 / Position posts with module dimensions 110, make sure the notch of the post is facing outwards.
- 3 / Fixed sides
- 4 / Lift the 2 roof pages into place, make sure the cut notches fit. There must be no open angles or cracks.
- 5 / Mount "tapestry plate" with 4X40, 8 pieces per plate, check that there are no openings
- 6 / Make sure everything is well secured and that the house is stable.
- 7 / Mount benches and tables. Table legs buried 60cm

If the house is to be fixed, 4 pieces must be purchased. posts and P2 are replaced by burial H = 75cm.

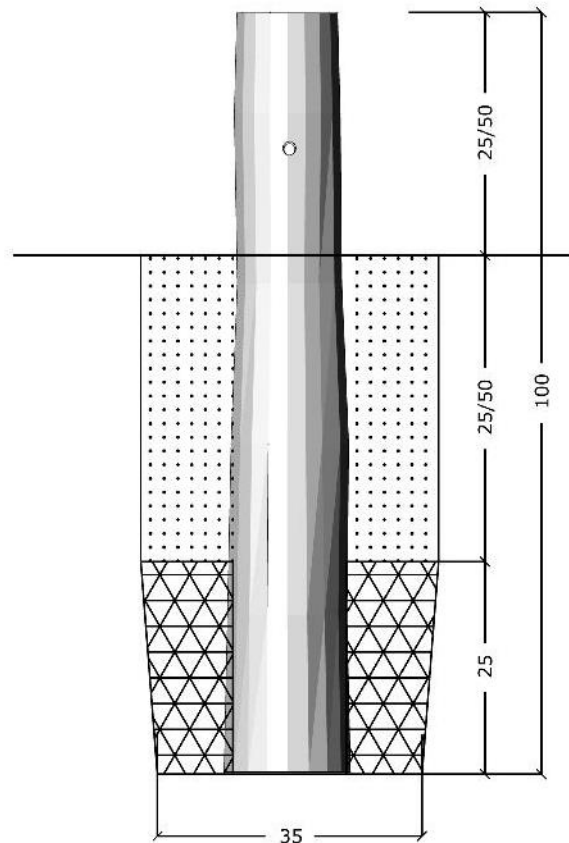
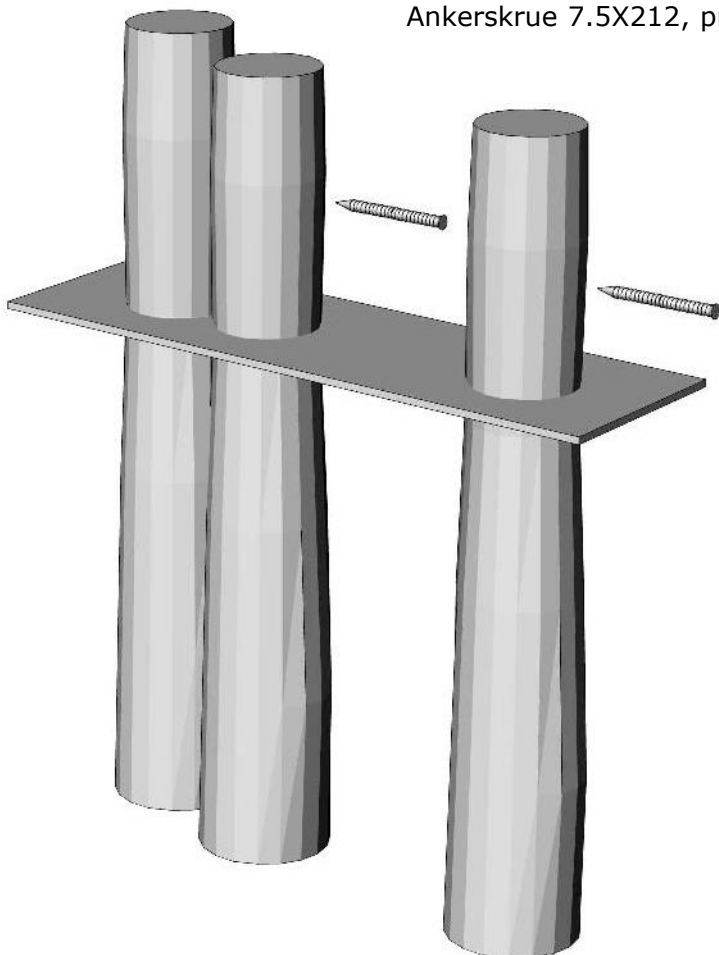
The playhouse is supplied as standard for placement on tiles. If you want the playhouse fitted with pole shoes, they can be purchased, item No. SP 6502, and buried 75cm.



The posts are buried to the same depth and cut so that the varying height is achieved



Ankerskrue 7.5X212, pre-drilled 6.5



🇩🇰 Vores sandkasse sider, i både 1, 2 og 3 lags leveres generelt i længder på 2,5 og 3 meter.

Siderne skal derfor tilpasses den foreskrevne længde og samles i kryds forband.

Vær opmærksom på at samlingerne kan roteres så dimensionen passer bedst muligt.

Palisader leveres altid i 1m længder.

🇬🇧 Our sandbox sides, in both 1, 2 and 3 layers are generally delivered in lengths of 2.5 and 3 meters. The sides must therefore be adapted to the prescribed length and assembled in cross-joints. Be aware that the joints can be rotated so that the dimension fits. Palisades are always available in 1m lengths.

Eksempel på tilpasning og kryds forband

Example of fitting and cross-linking

