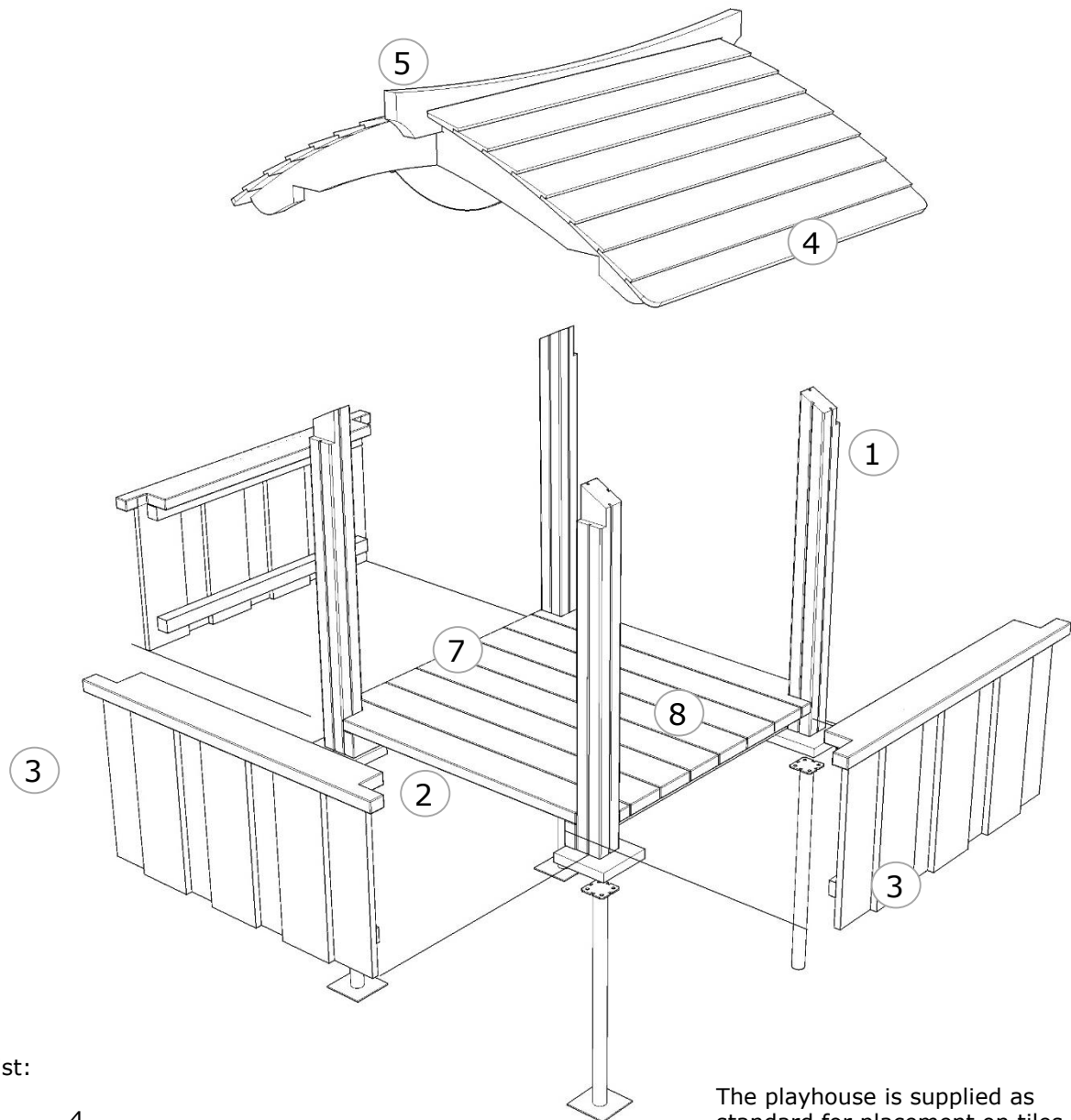


Serie: Playhouse	Item no.:5084	Date: 19.02.2020	Agegroup: 1+
Demands fall surface: No	Security area: 15 m2	Fall hight: 12 cm	Mounting time: 4 timer
Numbers of installers: 2	Total weight: 105 kg	Largest part: 1,2X1,2cm	Weight largest part: 20 kg
Kg of concrete per hole: 25 kg	Forboret: nej	Delivered assembled: No	Handicap venligt: -



## Elements list:

Post	4
floor	1
Low side	3
Roof	1
Kip	1

The playhouse is supplied as standard for placement on tiles. If you want the playhouse fitted with pole shoes they can be purchased, item no SP 6502, and 75cm are buried.

Everything has to be pre-drilled

## Installation description:

- 1 / Place the floor on a flat, non-absorbent surface.
  - 2 / Position the tiles in relation to the floor cuts. Make sure they are stable and vague.
  - 3 / Place posts in the carvings of the floor, make sure the notch of the post is facing outwards.
  - 4 / Fixed floor.
  - 5 / Fixed sides
  - 6 / Lift the 2 roof pages into place, making sure the carved notches fit. There must be no open angles or cracks. At the same time mount the kip wide so that the top roof rails "are locked.
  - 7 / Mount "tapestry plate" with 4X40, 8 pieces per plate, check that there are no openings
  - 8 / Make sure everything is securely fastened and the house is stable.
- If the house is to be fixed, 4 pieces must be purchased. posts and P2 are replaced by burial H = 75cm.

