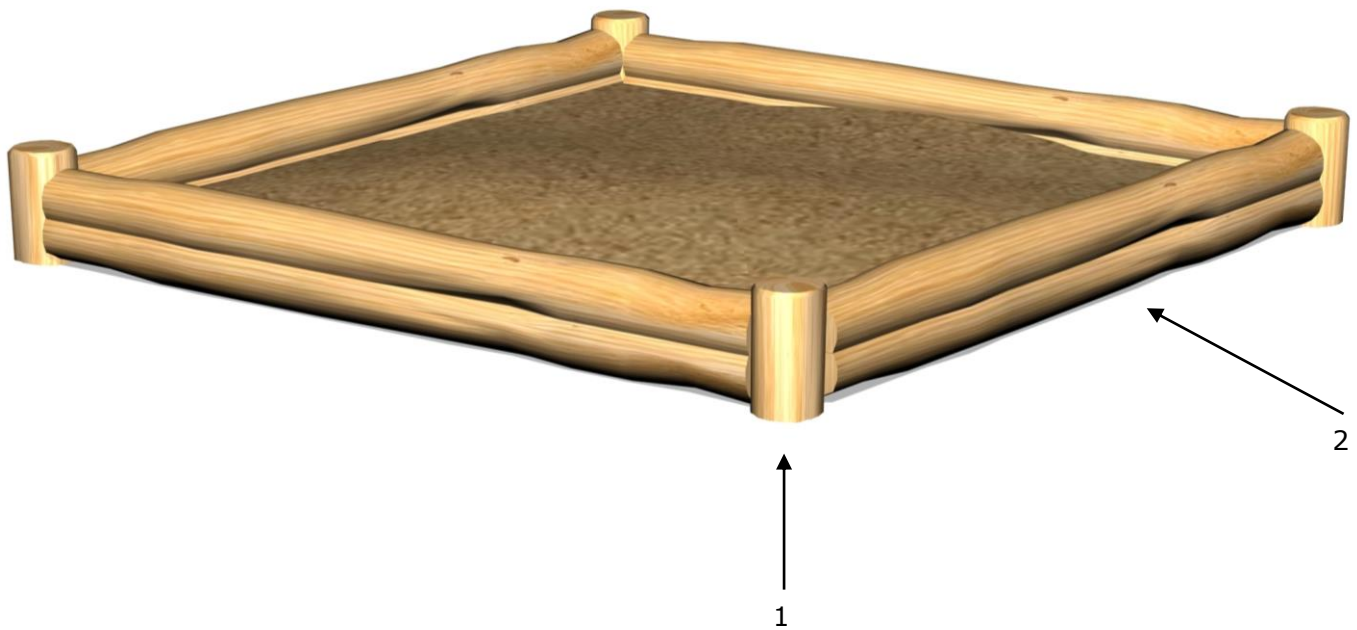


Series: Sand	Sku no.:5320	Dato: 9.11.2021	Age Group: 1+
Installation time: 3 hrs	Safety area:	Demands fall underlay: No	Fall Height:35 cm
Total weight:275kg	Largest part:250 cm	Weight, largest part: 38 kg	



Item list:

Nr.:	Sku no.:	Description:	Dimension:	No:
2	5039	Robinia palisade post	Ø14-16 L100	4
3	5036	2 pcs 1 side sawed robinia	Ø14-16 L=250	4
6	KA 212	Ankers screws 7.5X212		48

