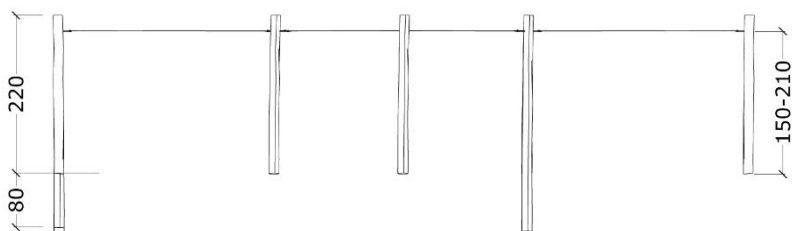
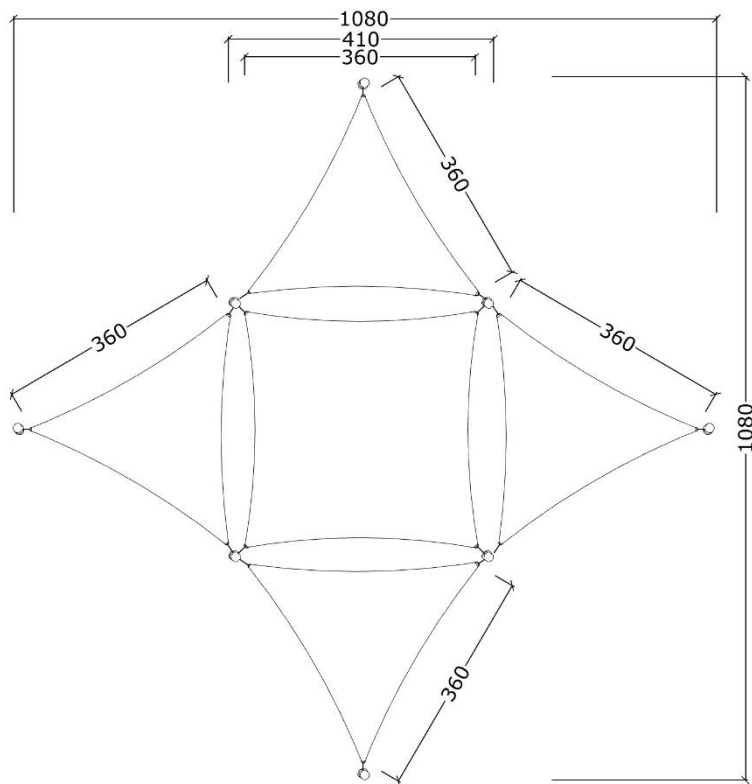
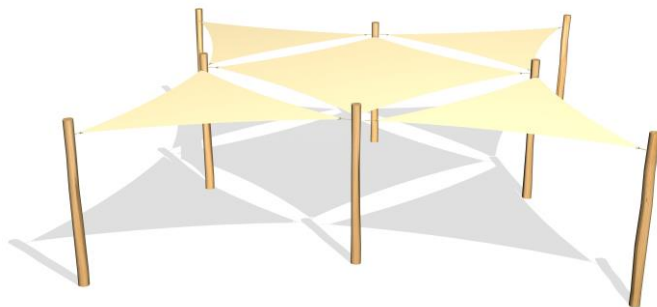


26432

1 stk 3.6X3.6 og 4 stk 3.6X3.6X3.6 solsejl med Robinia stolper
 1 pc 3.6X3.6 and 4 pc 3.6X3.6X3.6 awning with Robinia posts

Datablad/Data sheet

ATTENTION!
 Minimum 390
 between posts



Sun sails are a good alternative to parasols. The location combined with the installation height of the sail ensures a correct shading effect. In the outer months when the sun is low, a vertically mounted side sail can be the solution. Our sun sails are made of HDPE, a material with great strength, UV treated so that up to 90% of the sun's dangerous rays do not penetrate and at the same time a certain amount of water penetration is allowed, which significantly extends the lifespan. When installing, it must be ensured that there is approx. 25cm between the sail and the attachment point, as the sail will work in relation to cold and heat.



Serie: Solsejl	Vare nr.: 26432	Dato: 16.1.2023	Aldersgruppe: -
Kræver faldunderlag: Nej	Sikkerhedsareal: -	Faldhøjde: 0 cm	Monteringstid: 2 timer
Antal montører: 2	Samlet vægt: 220 kg	Største enkelt del: 300 cm	Vægt største enkelt del: 20 kg
Kg beton pr hul: 25 kg	Forboret:	Leveres samlet: Nej	Handicap venligt: -

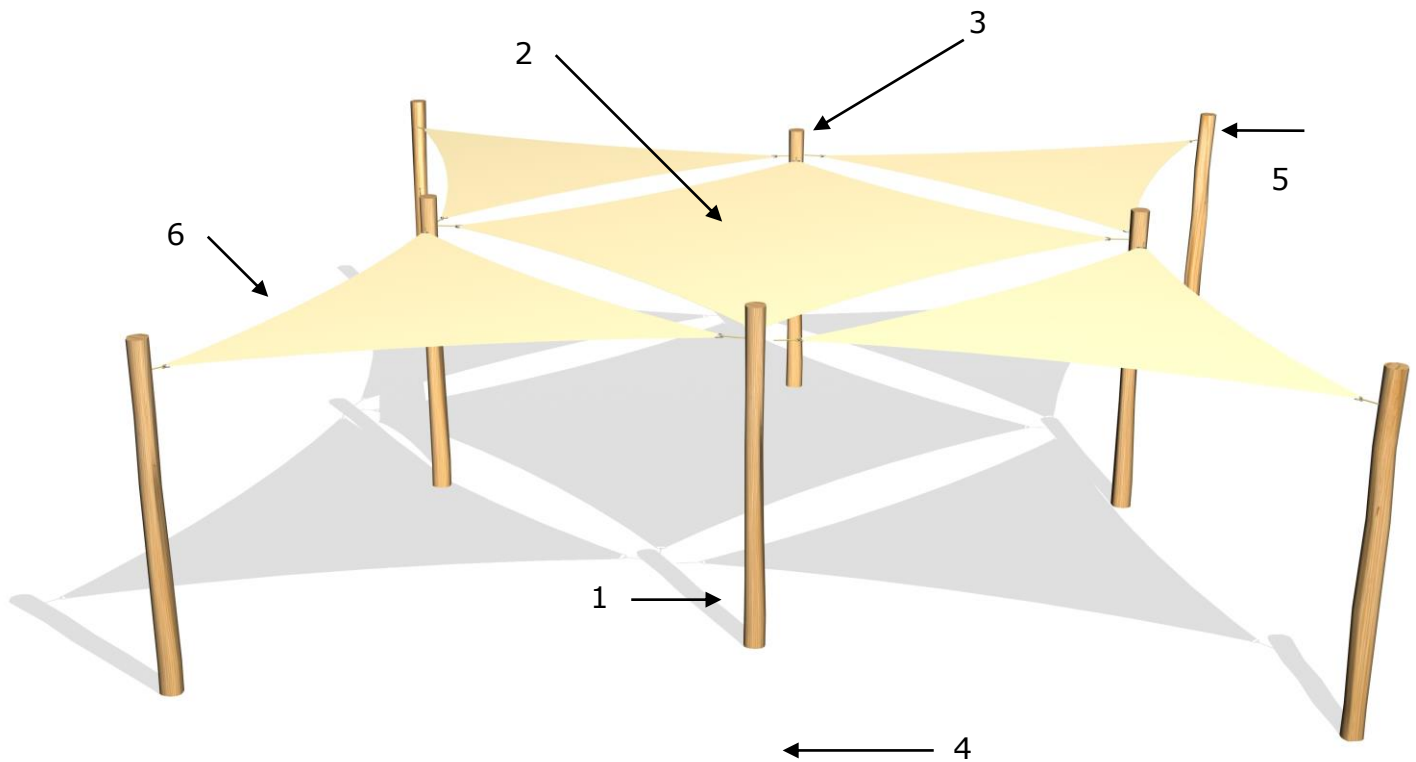


Serie: Sunshade	Item no.: 26432	Date: 16.1.2023	Age group: -
Demands fall underlay: No	Security area: -	Fall high: 0 cm	Mouting time: 2 hour
Numbers of installers: 2	Total weight: 220 kg	Largest part: 300 cm	Weight, largest part: 20 kg
Kg of concrete per hole: 25 kg	Pre drilled:	Delivered assembled: No	Disability access: -

26432

1 stk 3.6X3.6 og 4 stk 3.6X3.6X3.6 solsejl med Robinia stolper
 1 pc 3.6X3.6 and 4 pc 3.6X3.6X3.6 awning with Robinia posts

Teknisk tegning
 Technical drawing



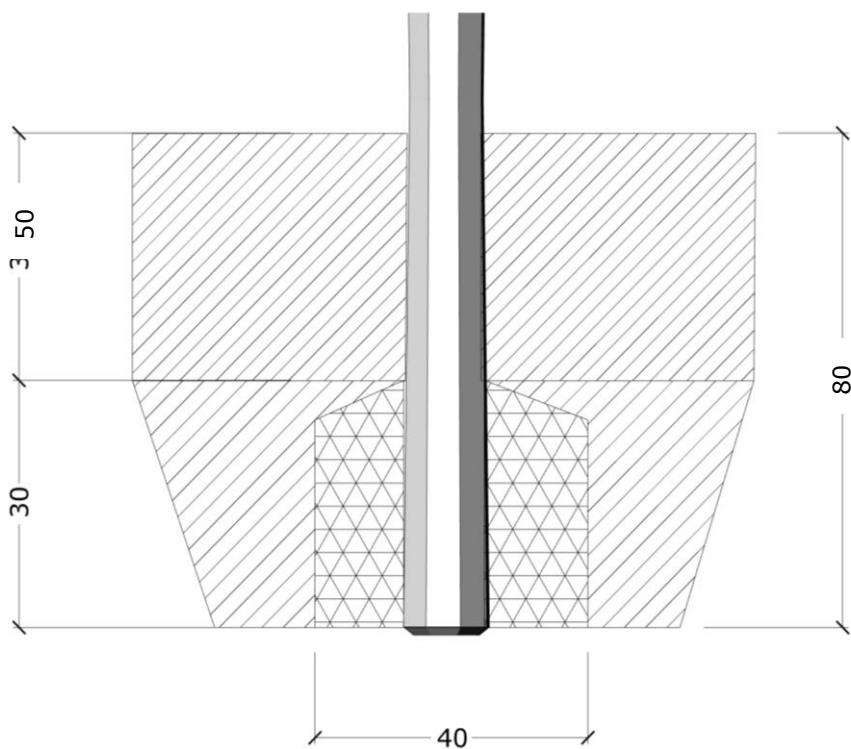
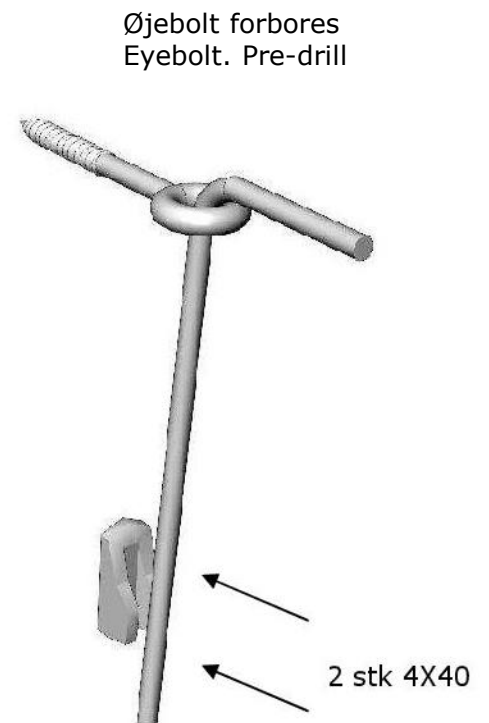
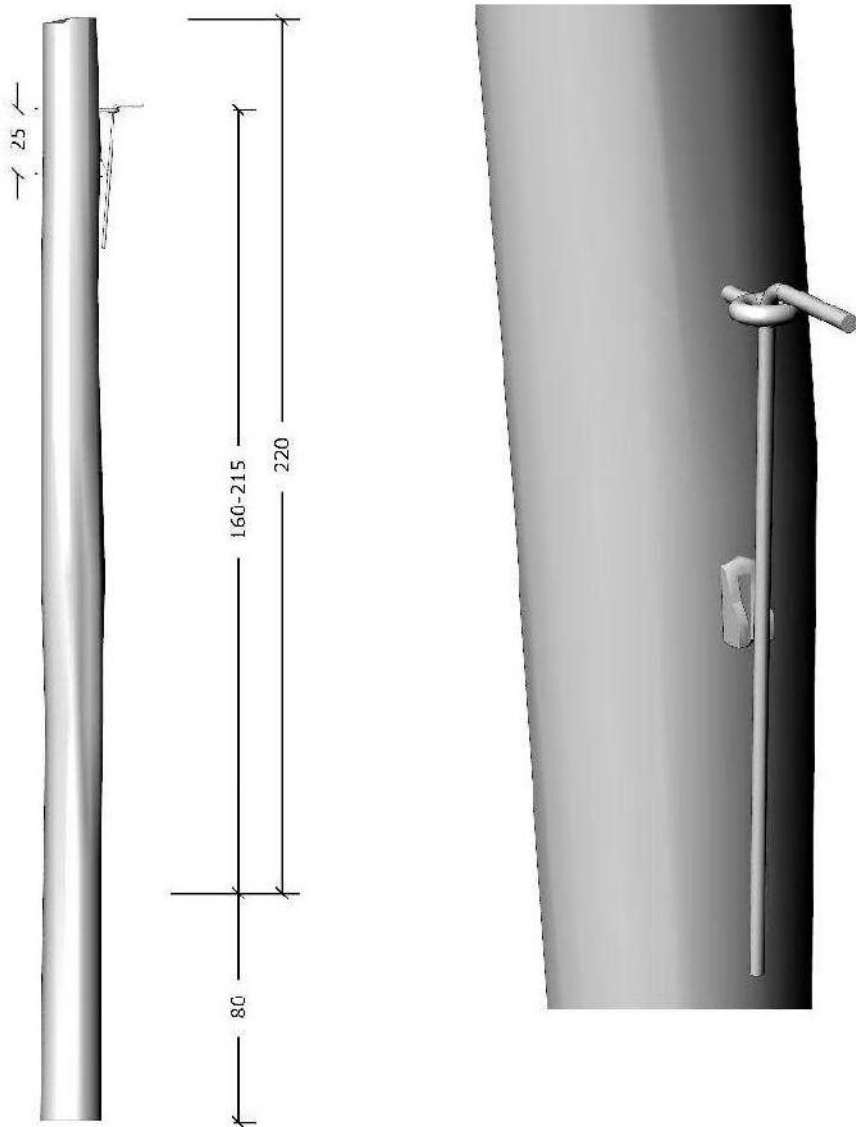
Stykliste:

No.:	Item no.:	Description	Dimension	Quantity
1	ST 300	Robinia stolpe/Robinia post	Ø 10-12 L=300cm	8
2	SS 4 360	HDPE solsejl/HDPE sunshade	3.6X3.6	1
3	BSS	Beslag sæt solsejl/Bracket set sun sail		16
4	FD F1	Fundering Stolpe/Foundation post	se drawing FD F1	8
5	PS	Producentstikil/Manufacturer's label	se drawing PS	1
6	SS 3 360	HDPE solsejl/HDPE sunshade	3.6X3.6X3.6	4

26432

1 stk 3.6X3.6 og 4 stk 3.6X3.6X3.6 solsejl med Robinia stolper
1 pc 3.6X3.6 and 4 pc 3.6X3.6X3.6 awning with Robinia posts

Teknisk tegning
Technical drawing



Beton

Fundering, FD F1