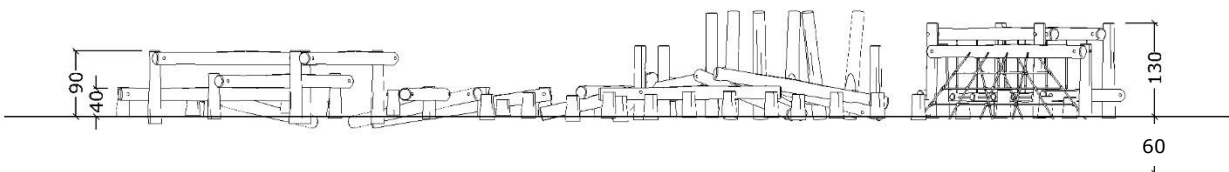
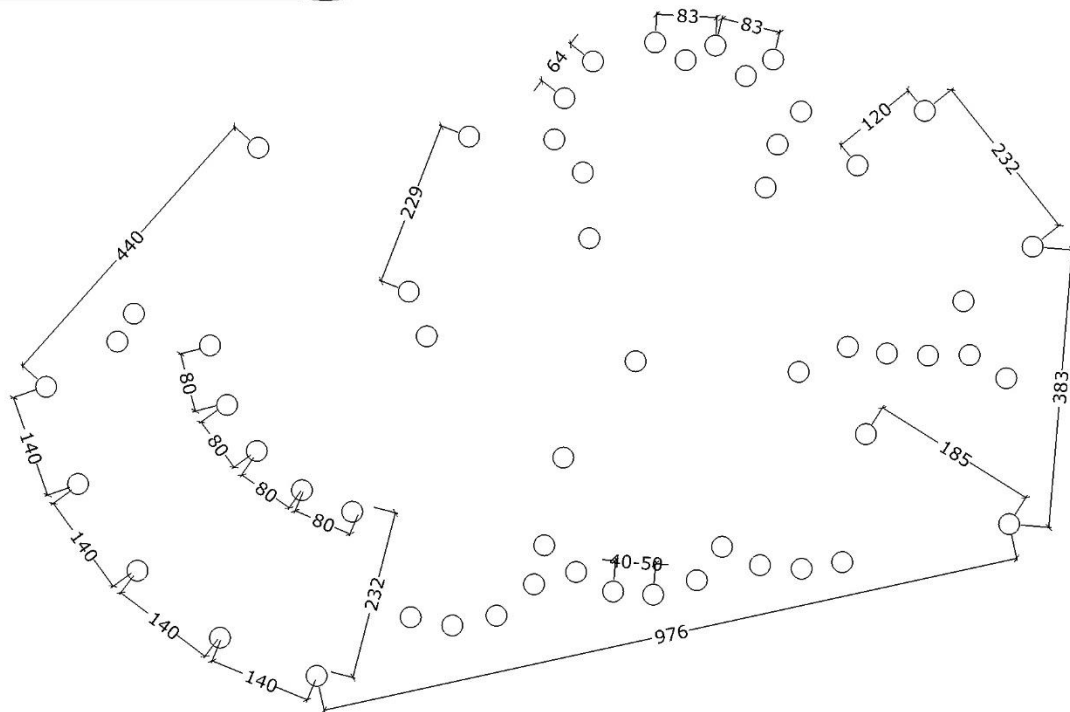
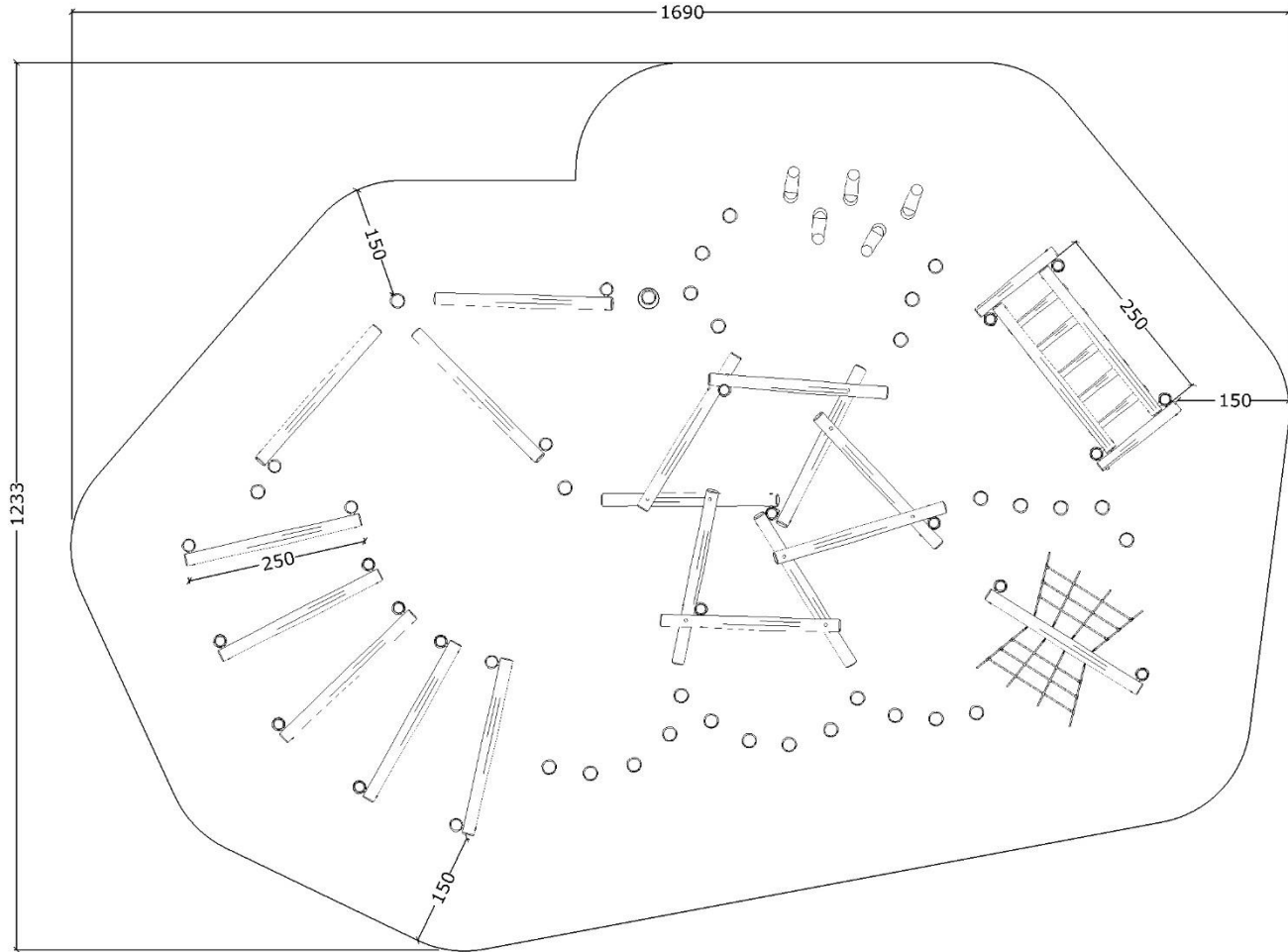
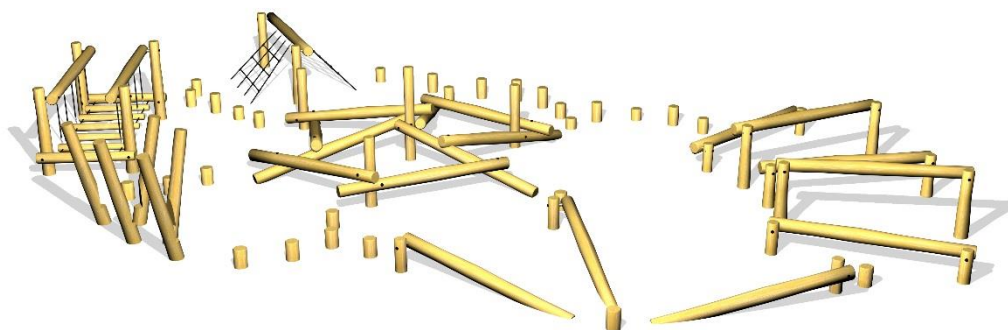
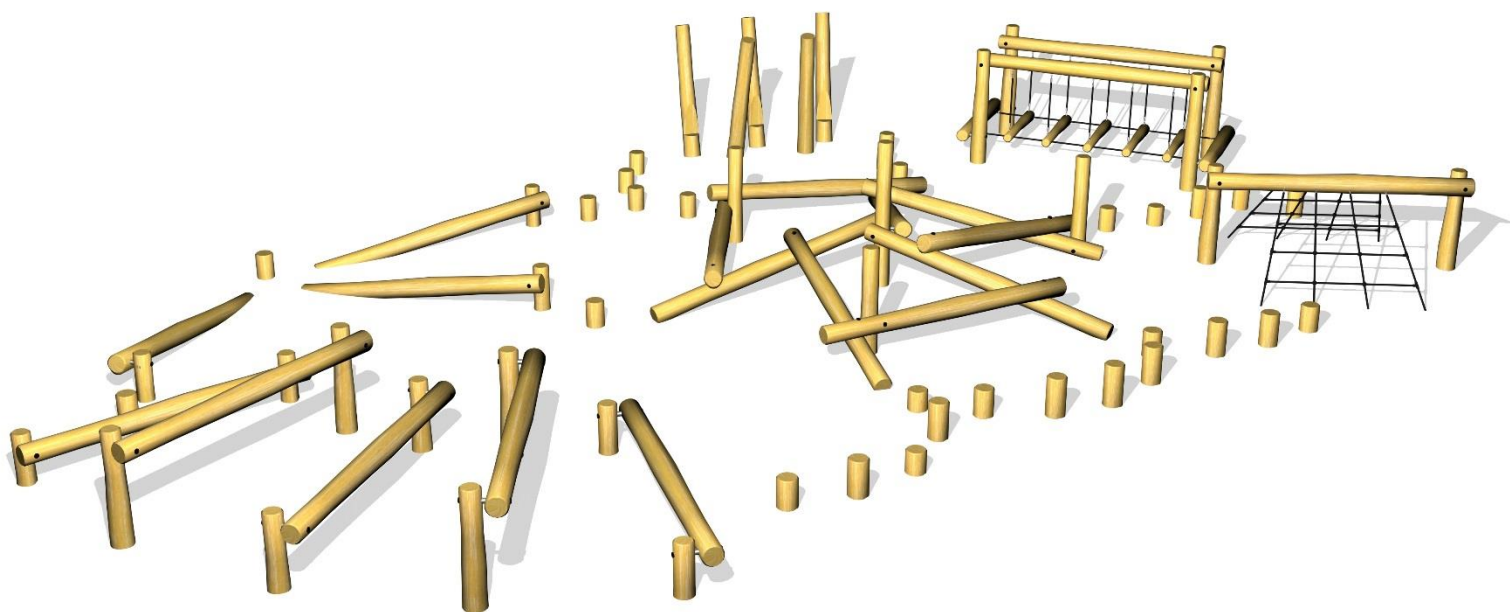


| | | | |
|-------------------------|-------------------------|----------------------------|--------------------------------|
| Serie: Balance | Vare nr.: 3566 | Dato: 05.02.2020 | Aldersgruppe: 3+ |
| Kræver faldunderlag: No | Sikkerhedsareal: 157 m2 | Faldhøjde: 99 cm | Monteringstid: 8 timer |
| Antal montører: 2 | Samlet vægt: 700 kg | Største enkelt del: 250 cm | Vægt største enkelt del: 30 kg |
| Kg beton pr hul: 25 kg | Forboret: Ja | Leveres samlet: Delvist | Handicap venligt: - |



| | | | |
|--------------------------------|-----------------------|-----------------------------|-----------------------------|
| Serie: Balance | Item no.: 3566 | Date: 05.02.2020 | Age group: 3+ |
| Demands fall underlay: No | Security area: 157 m2 | Fall height: 99 cm | Mouting time: 8 hour |
| Numbers of installers: 2 | Total weight: 7000 kg | Largest part: 250 cm | Weight, largest part: 30 kg |
| Kg of concrete per hole: 25 kg | Pre drilled: Yes | Delivered assembled: Partly | Disability access: - |

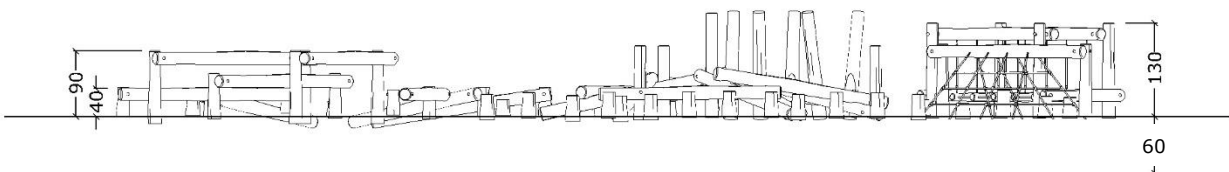
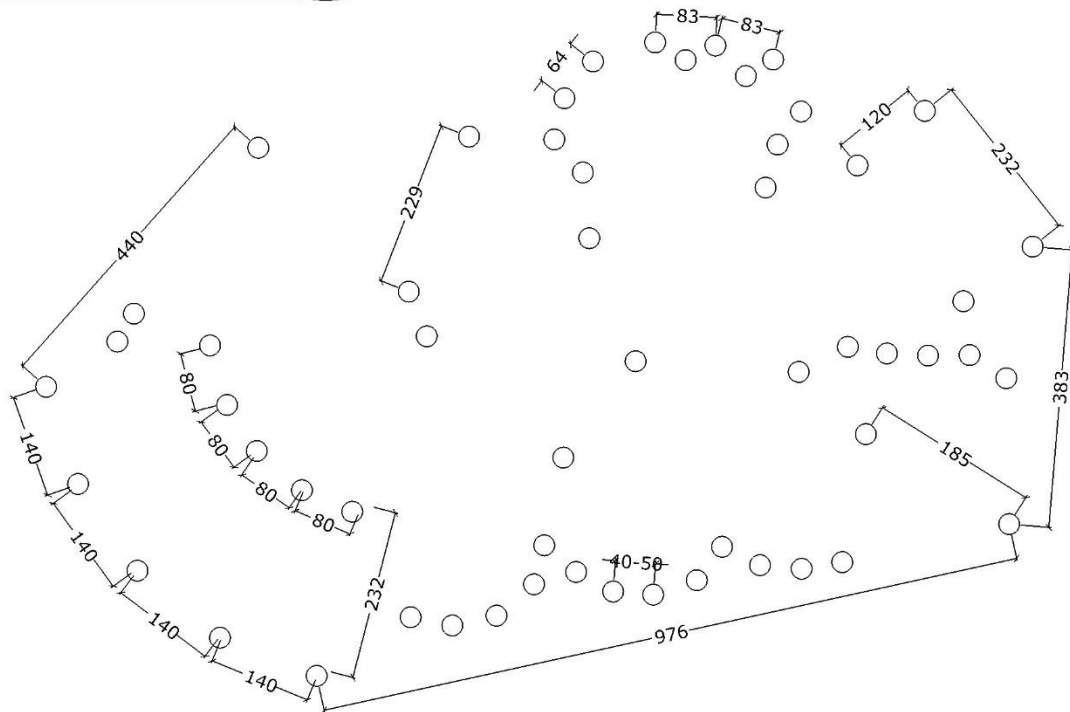
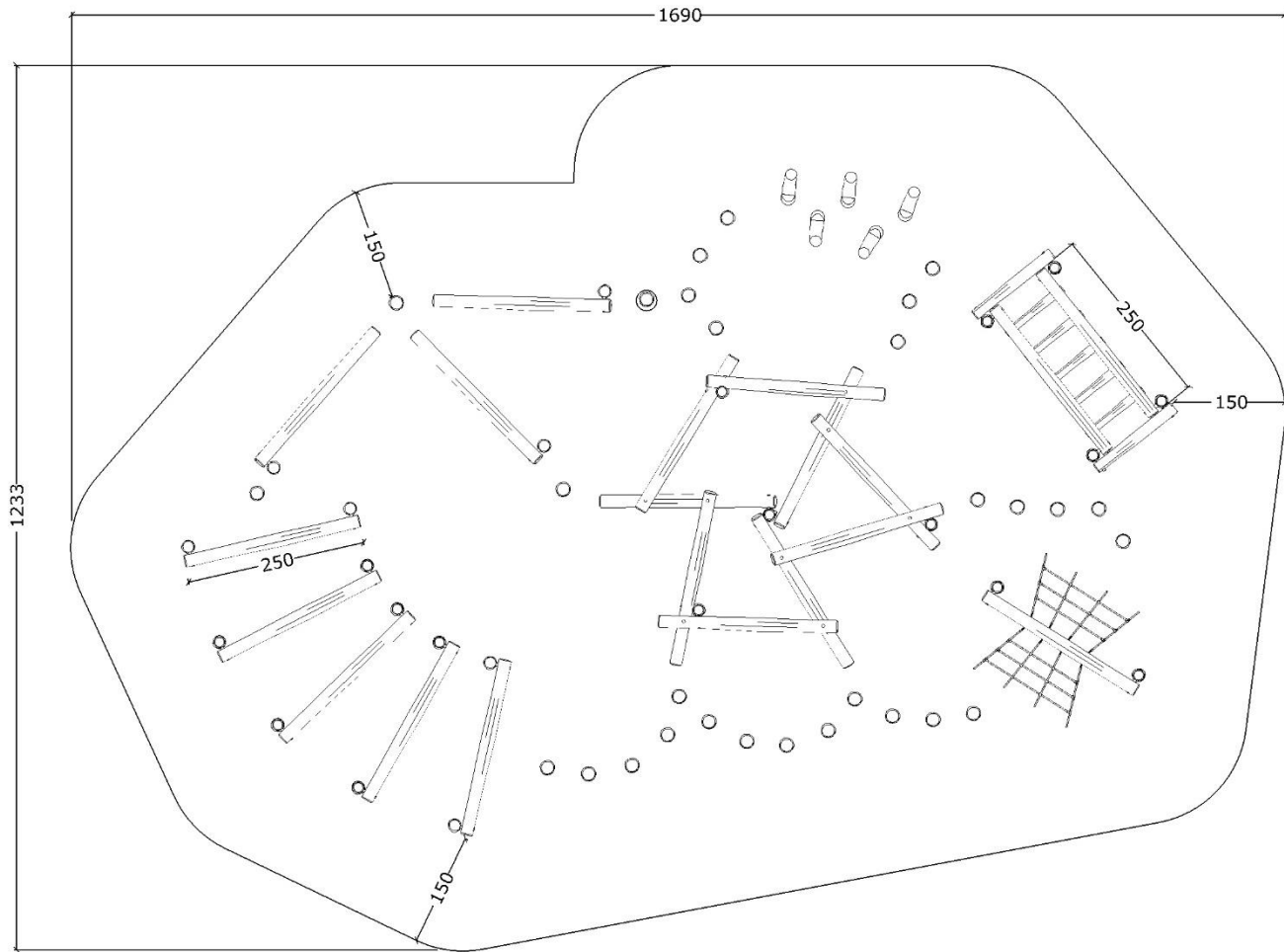


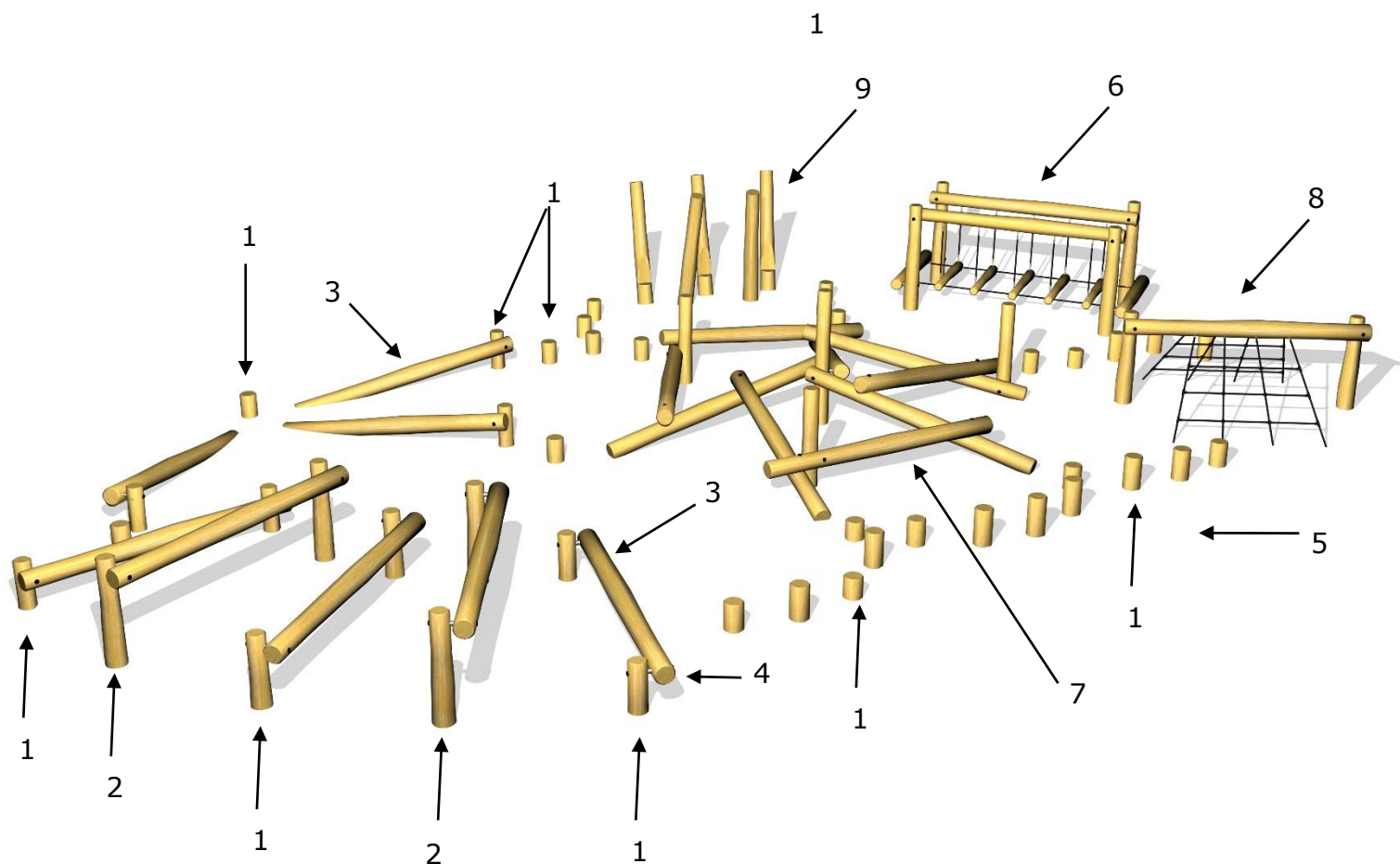


| | | | |
|-------------------------|-------------------------|----------------------------|--------------------------------|
| Serie: Balance | Vare nr.: 3566 | Dato: 05.02.2020 | Aldersgruppe: 3+ |
| Kræver faldunderlag: No | Sikkerhedsareal: 157 m2 | Faldhøjde: 99 cm | Monteringstid: 8 timer |
| Antal montører: 2 | Samlet vægt: 700 kg | Største enkelt del: 250 cm | Vægt største enkelt del: 30 kg |
| Kg beton pr hul: 25 kg | Forboret: Ja | Leveres samlet: Delvist | Handicap venligt: - |

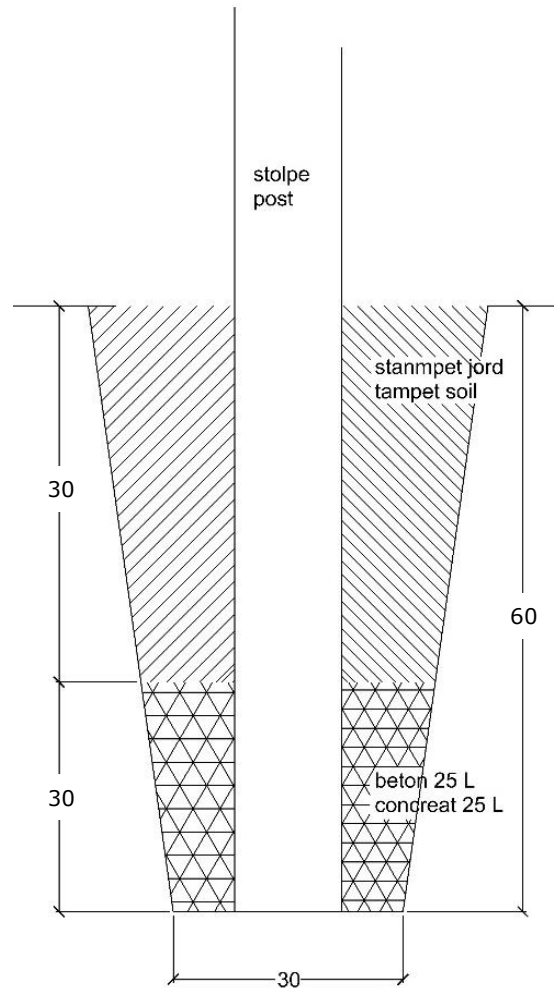
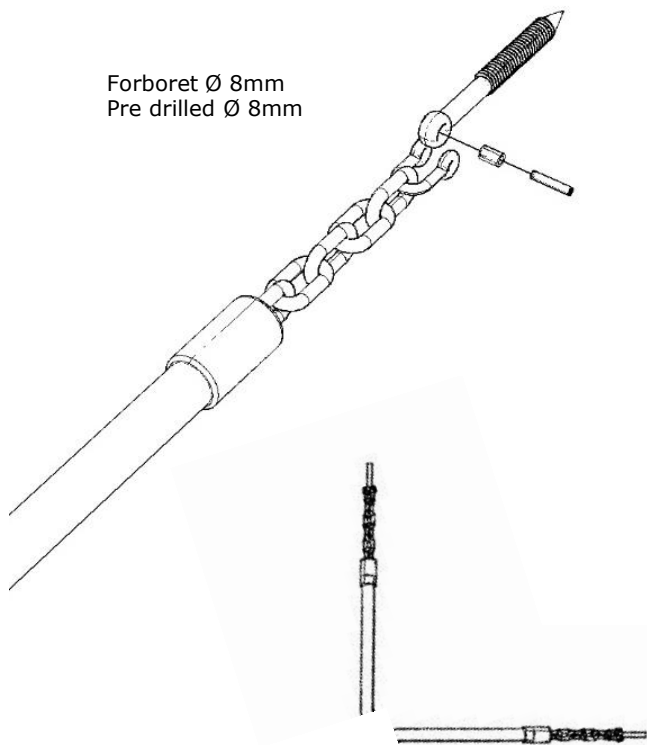
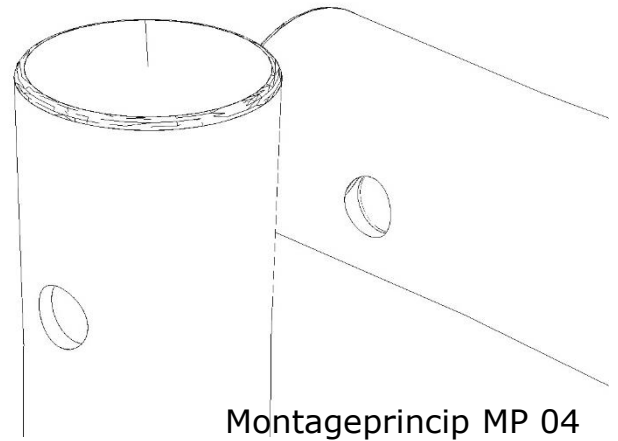
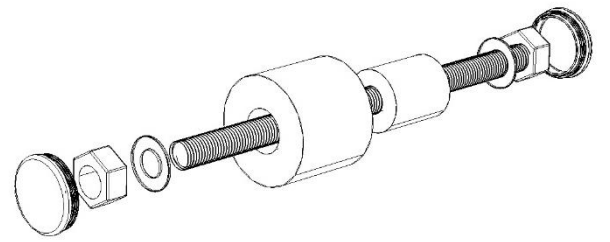
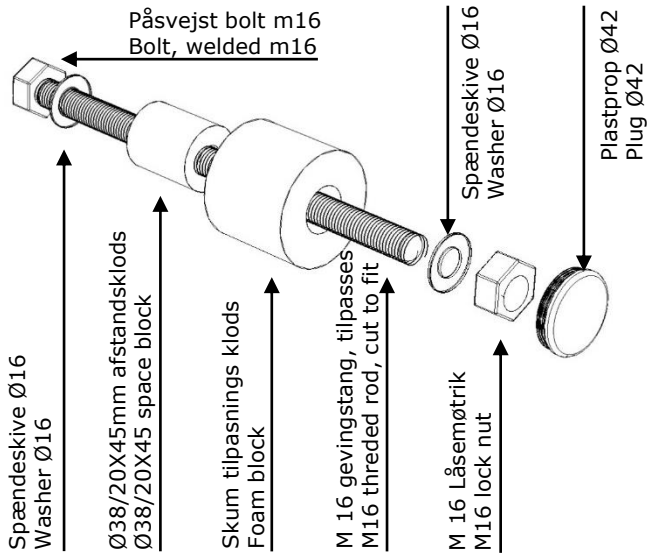


| | | | |
|--------------------------------|-----------------------|-----------------------------|-----------------------------|
| Serie: Balance | Item no.: 3566 | Date: 05.02.2020 | Age group: 3+ |
| Demands fall underlay: No | Security area: 157 m2 | Fall height: 99 cm | Mouting time: 8 hour |
| Numbers of installers: 2 | Total weight: 7000 kg | Largest part: 250 cm | Weight, largest part: 30 kg |
| Kg of concrete per hole: 25 kg | Pre drilled: Yes | Delivered assembled: Partly | Disability access: - |





| Nr.: | Nr / No.: | Beskrivelse / description | Dimension | Antal / quantity |
|------|-----------|-------------------------------------|-----------------------|------------------|
| 1 | ST 100 | Robinia stolpe / post | Ø14-16 L=100cm | 38 |
| 2 | ST 150 | Robinie stolpe / Post | Ø14-16 L=150 cm | 4 |
| 3 | VA 250 | Robinia vange / beam | Ø14-16 L=250cm | 8 |
| 4 | MP 04 | Montageprincip / Mounting principle | tegning/drawing MP 04 | 2 |
| 5 | FD F1 | Fundering ST / foundation post | tegning/drawing FD F1 | 56 |
| 6 | 3552 | System | se tegning / drawing | 1 |
| 7 | 3537 | System | se tegning / drawing | 1 |
| 8 | 2932 L | System | se tegning / drawing | 1 |
| 9 | 3548 | System | se tegning / drawing | 1 |
| 10 | PS | Produentskilt / manufacturer sign | tegning PS/drawing PS | 1 |



Montageprincip MP 07

Fundering, FD F1